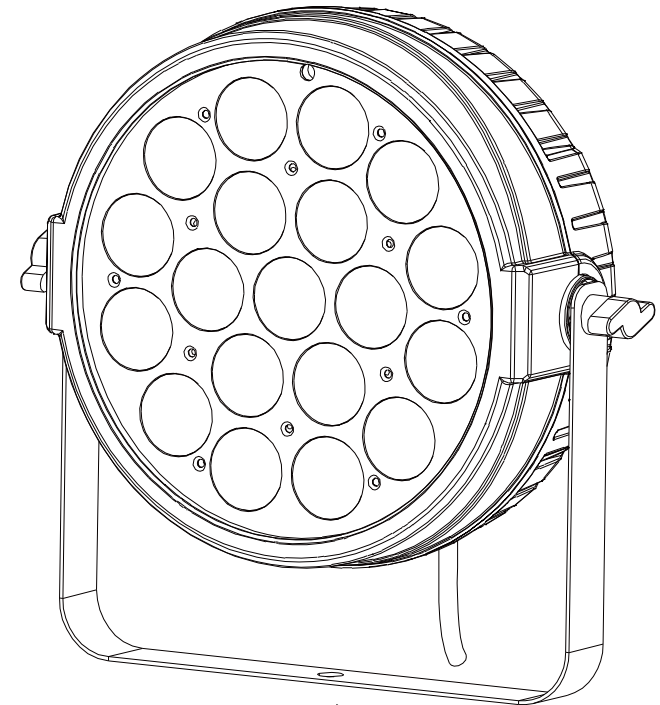


# VERSA FLEX PAR QUAD19



Version 1.0

**JMAZ<sup>®</sup>****JMAZ LIGHTING**

Address: 2422 Lee Ave, South El Monte, CA 91733

Phone: 1-626-380-0883 [www.jmazlighting.com](http://www.jmazlighting.com) [support@jmazlighting.com](mailto:support@jmazlighting.com)

## USER MANUAL

- Be sure to read the USER MANUAL carefully before using this product.
- Be sure to keep the USER MANUAL properly for future needs.
- Use this product correctly when you can fully understand the User Manual

## 10. Maintenance and cleaning

It is absolutely essential that the fixture is kept clean and that dust, dirt and smoke-fluid residues must not build up on or within the fixture. Otherwise, the fixture's light-output will be significantly reduced. Regular cleaning will not only ensure the maximum light-output, but will also allow the fixture to function reliably throughout its life. A soft lint-free cloth moistened with any good glass cleaning fluid is recommended, under no circumstances should alcohol or solvents be used!

**DANGER !**  
Disconnect from the mains before starting any maintenance work

The front objective lens will require weekly cleaning as smoke-fluid tends to building up residues, reducing the light-output very quickly. The cooling-fans should be cleaned monthly.

The interior of the fixture should be cleaned at least annually using a vacuum-cleaner or an air-jet. Remove dust and dirt from the fans and cooling vents using a soft brush and vacuum-cleaner.

**Important!** Check the air filters periodically and clean before they become clogged!

Clean two air filters placed in the fixture's covers and two in the fixture base. Use a vacuum cleaner, compressed air or you can wash them and put back dry.

After replacing the air filters, reset the elapsed time counter in the menu "Information" or "Information" -> Air Filters -> Elapsed Time).

Replacing the fuse. Before replacing the fuse, unplug mains lead.

- 1) Remove the fuse holder on the rear panel of the base with a fitting screwdriver from the housing (anti-clockwise).
- 2) Remove the old fuse from the fuse holder.
- 3) Install the new fuse in the fuse holder (only the same type and rating).
- 4) Replace the fuseholder in the housing and fix it.

## 1. Safety instructions

Thank you for choosing our VERSA FLEX PAR QUAD19 with mover. FOR YOUR OWN SAFETY, PLEASE READ THIS USER MANUAL CAREFULLY BEFORE YOU INITIAL START - UP!

**CAUTION!**

Be careful with your operations.

With a high voltage you can suffer a dangerous electric shock when touching the wires!

This device has left our premises in absolutely perfect condition. In order to maintain this condition and ensure a safe operation, it is absolutely necessary for the user to follow the safety instructions and warning notes written in this manual.

**CAUTION!**  
Keep this device away from rain and moisture!  
Unplug mains lead before opening the housing!

Important:

The manufacturer will not accept liability for any resulting damages caused by the non-observance of this manual or any unauthorized modification to the device.

Please consider that damages caused by manual modification to the device are not subject to warranty.

During the operation the housing becomes hot). Allow the fixture to cool approximately 20 minutes prior to manipulate with it.

Make sure that the available voltage is not higher than stated on the rear panel.

**WARNING!** This unit does not contain an ON/OFF switch. Always disconnect power input cable to completely remove power from unit when not in use or before cleaning or servicing the fixture.

Make sure that the power-cord is never crimped or damaged by sharp edges. Check the device and the power-cord from time to time.

Always disconnect from the mains, when the device is not in use or before cleaning it. Only handle the power-cord by the plug. Never pull out the plug by tugging the power cord.

This device falls under protection class I. Therefore it is essential to connect the yellow/green conductor to earth.

The electric connection, repairs and servicing must be carried out by a qualified employee.

Do not connect this device to a dimmer pack.

Do not switch the fixture on and off in short intervals as this would reduce the lamp's life.

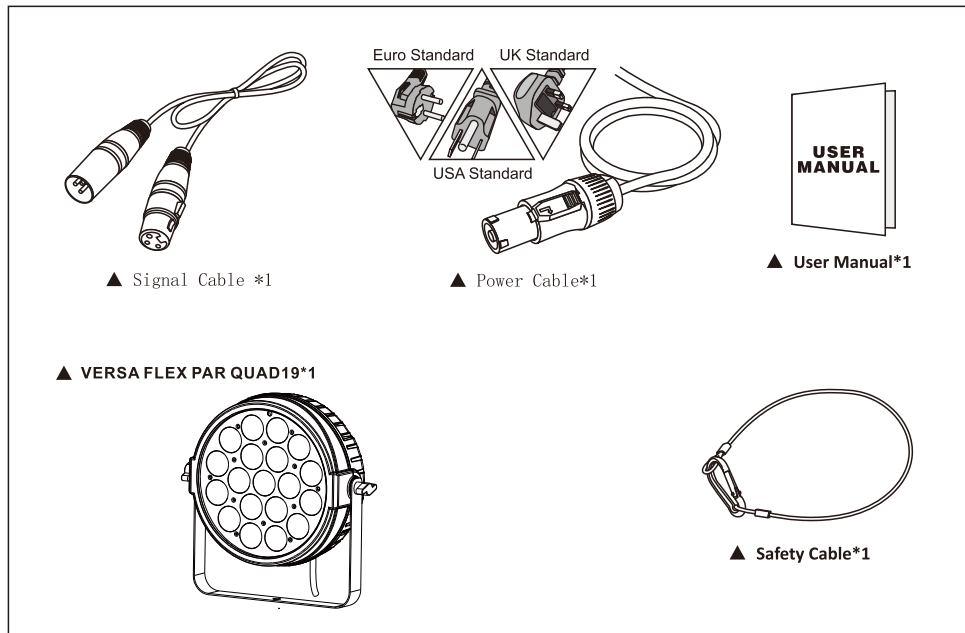
During the initial start-up some smoke or smell may arise. This is a normal process and does not necessarily mean that the device is defective.

Do not touch the device's housing bare hands during its operation (housing becomes hot)!

For replacement use lamps and fuses of same type and rating only.

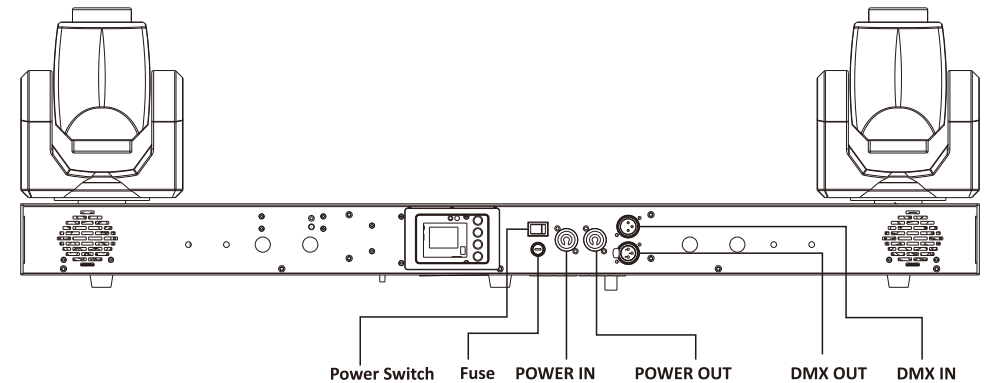
**CAUTION ! EYE DAMAGES !**  
Avoid looking directly into the light source  
(meant especially for epileptics) !

2.UNPACKING



VERSA FLEX PAR QUAD19 is made of a new type of high temperature strength of engineering plastics and cast aluminum casing with nice outlook . The fixture is designed and manufactured strictly following CE standards, complying with international tandard DMX512 protocol. It's available independently controlled and linkable with each other for operation. And it is appli able for large-scale live per formances, theater, studio, nightclubs and discos.

This manual covers the important information on intallaation and applacations. Meanwhile, please keep this manual well for future needs.



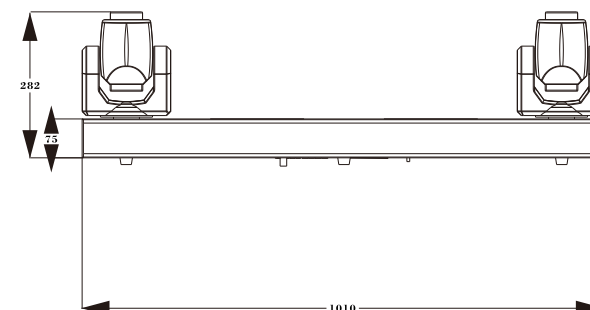
(35+AA+BB)CH/(25+AA+BB)CH/(83+AA+BB)CH;AA=Unit1 parcan Channel;  
BB=Unit2 Parcan Channel

19	9	31		<b>Head2 Macro RUN</b>	
			0..15	No function	
			16..31	MacroRun 1	
			32..47	MacroRun 2	
			48..63	MacroRun 3	
			64..79	MacroRun 4	
			80..95	MacroRun 5	
			96..111	MacroRun 6	
			112..127	MacroRun 7	
			128..143	MacroRun 8	
			144..159	MacroSound 1	
			160..175	MacroSound 2	
			176..191	MacroSound 3	
			192..207	MacroSound 4	
			208..223	MacroSound 5	
224..239	MacroSound 6				
240..255	MacroSound 7				
20	10	32		<b>Head2 Macro Speed</b>	
			0..255	MacroSpeedfrom Slow To Fast	
		33		<b>Head2 Red1</b>	
			0..255	0-100%Red1 dimmer from dark to bright	
			34		<b>Head2 Green1</b>
				0..255	0-100%Green1dimmer from dark to bright
			35		<b>Head2 Blue1</b>
				0..255	0-100%Blue1dimmer from dark to bright
			36		<b>Head2 White1</b>
				0..255	0-100%White1dimmer from dark to bright
			37		<b>Head2 Red2</b>
				0..255	0-100%Red2dimmer from dark to bright
			38		<b>Head2 Green2</b>
				0..255	0-100%Green2dimmer from dark to bright
39		<b>Head2 Blue2</b>			
	0..255	0-100% Blue2 dimmer from dark to bright			
40		<b>Head2 White2</b>			
	0..255	0-100%White2dimmer from dark to bright			
41		<b>Head2 Red3</b>			
	0..255	0-100%Red3dimmer from dark to bright			
42		<b>Head2 Green3</b>			
	0..255	0-100%Green3dimmer from dark to bright			
43		<b>Head2 Blue3</b>			
	0..255	0-100%Blue3dimmer from dark to bright			
44		<b>Head2 White3</b>			
	0..255	0-100% White3 dimmer from dark to bright			

### 3. TECHNICAL INFORMATION

#### Specifications

- Led quantity :12\*05w warm white led,96\*0.2RGB outer SMDs,156\*0.5 ultra white inner
- SMDs ;7\*10w RGBW,60\*0.2 RGB;19\*10w RGBW ;220\*0.2w 5050 RGB SMD led;324\*0.5w cool warm white SMD led ;2\*30w white led
- Control signal:DMX512, master – slave and sound activated or auto
- Control channel:(35+AA+BB)CH/(25+AA+BB)CH/(83+AA+BB)CH
- Dimensions: 1010\*149\*589mm
- Net weight:18.7kgs
- Gross weight:21kgs
- 26 degree beam angle
- Built-in running programs
- 1 Static gobo wheel with 7 gobos plus open
- 1 Color wheel with 7 colors plus open
- There is Unit 1 and Unit 2 DMX mode option;Control channel is changeable, based on different parcan.
- Led strip effect
- Each pixel is controllable individually
- 0-100% linear LED dimmer
- 1.8' TFT LCD display (160\*128pix)
- 1-25T/sec high speed LED shutter/strobe effect with variable speed
- -35~45℃ max ambient temperature
- Display reversible for up side down application
- IP20 protection rating
- Preset variable/random strobe and dimming pulse effect
- Powercon IN/OUT



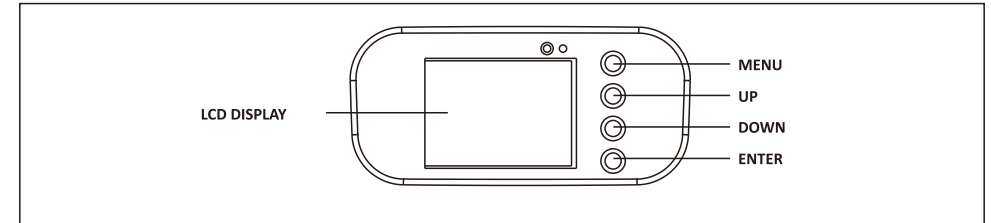
### 4. OPERATION INSTRUCTIONS

- VERSA FLEX PAR QUAD19 is for wash effect for on-site decoration purpose.
- Do not immediately operate the fixture if it has been through severe temperature changes during storage or transportation as this may damage the unit. Please allow the fixture to return to normal temperature.
- The fixture should be stored properly when in transportation to avoid violent shaking or movement.
- Do not expose the fixture to elements that include high heat, moisture, or an environment with too much dust when in operation.
- Do not place any power cables exposed on the ground as it may cause electronic shock.
- Make sure the fixture is securely installed in a safe location when installing.
- Use safety chain or safety cable when installing and ensure bolts or screws are securely fastened.
- Make sure the lens is in good condition. It is recommended to replace the fixture if there is any damage or severe scratches.
- Make sure the fixture is operated by qualified personnel who has read this user manual in its entirety.
- Do not attempt to repair the fixture without consulting with JMAZ Lighting or one of its authorized repair facilities.
- JMAZ Lighting has the right to void any warranty or service to the fixture if there are any malfunctions caused by disregard of this user manual.

12	2	24		Head2 Shutter
			0..31	Shutter closed
			32..63	shutter open
			64..95	Strobe effect slow to fast
			96..127	shutter open
			128..159	Pulse-effect in sequence slow to fast
			160..191	shutter open
			192..223	Random strobe effect slow to fast
13	3	25		Head2 Red
			0..255	0-100% Red dimmer from dark to bright
14	4	26		Head2 Green
			0..255	0-100% Green dimmer from dark to bright
15	5	27		Head2 Blue
			0..255	0-100% Blue dimmer from dark to bright
16	6	28		Head2 White
			0..255	0-100% White dimmer from dark to bright
17	7	29		Head2 Macro Color
			0..15	No Function
			16..31	Red
			32..47	Green
			48..63	Blue
			64..79	White
			80..95	Red+Green
			96..111	Red+Blue
			112..127	Red+White
			128..143	Green+Blue
			144..159	Green+White
			160..175	Blue+White
			176..191	R+G+B
			192..207	R+G+B+W
			208..212	2700K
			213..217	3200K
			218..222	3500K
			223..227	5000K
228..232	5500K			
233..237	6000K			
238..242	6500K			
243..247	7000K			
248..255	8000K			
18	8	30		Head2 Color Temp
			0..15	No Function
			16..45	Below 3200K
			46..75	3200K- 3500K
			76..105	3500K- 5000K
			106..135	5000K- 5500K
			136..165	5500K- 6000K
			166..195	6000K- 6500K
			196..225	6500K- 7000K
226..255	7000K- 8000K			

8	8	8	<b>Head 1 Color Temp</b>	
			0..15	No Function
			16..45	Below3200K
			46..75	3200K- 3500K
			76..105	3500K- 5000K
			106..135	5000K- 5500K
			136..165	5500K- 6000K
			166..195	6000K- 6500K
			196..225	6500K- 7000K
226..255	7000K- 8000K			
9	9	9	<b>Head 1 Macro RUN</b>	
			0..15	No function
			16..31	MacroRun 1
			32..47	MacroRun 2
			48..63	MacroRun 3
			64..79	MacroRun 4
			80..95	MacroRun 5
			96..111	MacroRun 6
			112..127	MacroRun 7
			128..143	MacroRun 8
			144..159	MacroSound1
			160..175	MacroSound2
			176..191	MacroSound3
			192..207	MacroSound4
208..223	MacroSound5			
224..239	MacroSound6			
240..255	MacroSound7			
10	10	10	<b>Head 1 Macro Speed</b>	
			0..255	Macro Speed from Slow To Fast
11	1	23	<b>Head 1 Red1</b>	
			0..255	0-100%Red1dimmer fromdark tobright
			<b>Head 1 Green1</b>	
			0..255	0-100%Green1dimmer fromdark tobright
			<b>Head 1 Blue1</b>	
			0..255	0-100%Blue1dimmer fromdark tobright
			<b>Head 1 White1</b>	
			0..255	0-100%White1dimmer fromdark tobright
			<b>Head 1 Red2</b>	
			0..255	0-100%Red2 dimmer from dark to bright
			<b>Head 1 Green2</b>	
			0..255	0-100%Green2dimmerfromdarktobright
			<b>Head 1 Blue2</b>	
			0..255	0-100%Blue2dimmer fromdark tobright
<b>Head 1 White2</b>				
0..255	0-100%White2dimmer fromdark tobright			
<b>Head 1 Red3</b>				
0..255	0-100%Red3 dimmer fromdark tobright			
<b>Head 1 Green3</b>				
0..255	0-100%Green3 dimmer fromdark tobright			
<b>Head 1 Blue3</b>				
0..255	0-100%Blue3 dimmer fromdark tobright			
<b>Head 1 White3</b>				
0..255	0-100%White3dimmer fromdarktobright			
<b>Head 2 Dimmer</b>				
0..255	Dimmer0%...100%			

5.MENU OPERATIONS



MENU				Description	
Dmx Addr	A001~AXXX			Dmx Address Setting	
Auto Play	Auto Program	Internal Program1~12	Master/Alone	Auto Program	
	Music Control	Internal Program1~12	Master/Alone	Music Control	
	Slave Mode	On/Off		Slave Mode	
Reset	Speed Set	Speed 1 ~10		Speed Set	
	ALL Reset	On/Off		ALL Reset	
	Scan Reset	On/Off		Scan Reset	
	Color Reset	On/Off		Color Reset	
Reverse Pan	Gobo Reset	On/Off		Gobo Reset	
	Head Pan1	On/Off		Reverse Pan1	
Reverse Tilt	Head Pan2	On/Off		Reverse Pan2	
	Head Tilt1	On/Off		Reverse Tilt1	
	Head Tilt2	On/Off		Reverse Tilt2	
Special	Reset Default	On/Off		Reset Default	
	Calibration	Code (Password :088)		Calibration Code	
		PAN, TILT, Color...		Calibration of the channel	
	Temperature	XXX °C/°F		Current Temperature	
	Manual Control	PAN=XXX .....		Manual Control	
	Mic SET	0~99%		Sensitivity of mic	
	RF Remote	On/Off		RF Remote	
	Signal Set	Wire			DMX512(Cable DMX512)
		Wireless			only Wireless in
		WMAZ&Out			Wireless In &Cable Out
		Auto I&O			Automatic recognition: 1. Cable in &Transmit wireless 2. No Cable To Wireless in
	RF ID	ID 1~12		RF ID Set	
	DMXMode	Unit 1	Tron7	XXX XXX_CH	Tron7(XXX_CH specified channel)
			Reserve 1-4	XXX XXX_CH	Reserve1-4(XXX_CH specified channel)
Quad19			XXX XXX_CH	Quad19(XXX_CH specified channel)	
Reserve 1-4			XXX XXX_CH	Reserve1-4(XXX_CH specified channel)	
Reserve 1-4			XXX XXX_CH	Reserve1-4(XXX_CH specified channel)	
Reserve 1-4			XXX XXX_CH	Reserve1-4(XXX_CH specified channel)	
Tri220			XXX XXX_CH	Tri220(XXX_CH specified channel)	
Duo324			XXX XXX_CH	Duo324(XXX_CH specified channel)	
Tri60			XXX XXX_CH	Tri60(XXX_CH specified channel)	

DMXMode	Unit2	Tron7	XXX XXX_CH	Tron7(XXX_CH specified channel)
		Reserve 1-4	XXX XXX_CH	Reserve 1-4(XXX_CH specified channel)
		Quad19	XXX XXX_CH	Quad19(XXX_CH specified channel)
		Reserve 1-4	XXX XXX_CH	Reserve 1-4(XXX_CH specified channel)
		Reserve 1-4	XXX XXX_CH	Reserve 1-4(XXX_CH specified channel)
		Reserve 1-4	XXX XXX_CH	Reserve 1-4(XXX_CH specified channel)
		Tri220	XXX XXX_CH	Tri220(XXX_CH specified channel)
		Duo324	XXX XXX_CH	Duo324(XXX_CH specified channel)
		Tri60	XXX XXX_CH	Tri60(XXX_CH specified channel)
		Set Mode	Simple Mode	XX_CH
Same Mode	XX_CH		Ultrasimplified channel mode(Occupy few channels)	
Full Mode	XX_CH		Full channel mode(Occupy morechannels)	
Scan Degree	PAN Degree	540°	(Select Pan Degree , The default is 540 )	
		360°		
	TILT Degree	270°		(Select Tilt Degree , The default is 270 )
		180°		
		90°		
Version	V1.0—VXX		(software Version : V1.0 —VXX )	

**Precautions:**

1:The type of Unit 1 and Unite 2 combination can not be the same,and all the detachable parcan can not be installed as the same,otherwise the set rated power may be exceeded,the total Versa flex bar will be damaged.

2:The type of Unit 1&Unit 2 combination option can not be set"Reset default".After replacement of the detachable parcan,you should select the corresponding the type of parcan,otherwise it will cause the fixture out of control

3:The start address and the end address of Unit1&Unit2 combination can be checked after selecting the right type of parcan,repesenting the current DMX address which is coresspond to the channel address for the parcan selected.The numbers of the total control channel can be checked by XXX Mode after setting Mode→Set Mode→XXX Mode.

4:When using the full mode,it will occupy more control channels of the controller.If there is no signal state after setting this mode(Connect the DMX cable,the screen keep flashing on the address page),you should check whether the DMX address of this fixture plus the total control channel numbers of this fixture has exceeded the numbers of the control channels controlled by the controller(The standard numbers of the controller controled is 512)

5:When using master slave mode,the slave must to be set to the slave mode.In Auto Play→Slave Mode→On mode,you need exist to the slave mode,you should dobule-click the DMX address or Slave Mode or change the Slave Mode to be Off.

6:Since Versa flex bar is combinable,the control channel is changable ,the order of the control channel is as follows:

Base control channel+ control channel of the selected parcan from Unit 1 + control channel of the selected parcan from Unit 2

**6.DMX PROTOCOL**

Mode/Channel			Value	Function
Simple 20CH	Same 10CH	Full 44CH		
1	1	1	0..255	Head 1 Dimmer Dimmer0%... 100%
2	2	2		Head 1 Shutter
				Shutterclosed
			0..31	shutter open
			32..63	Strobe effect slow to fast
			64..95	shutter open
			96..127	Pulse-effect in sequences slow to fast
			128..159	shutter open
3	3	3	160..191	Random strobe effect slow to fast
			192..223	shutter open
			224..255	shutter open
				Head 1 Red
			0..255	0-100% Red dimmer from dark to bright
4	4	4	0..255	Head 1 Green 0-100% Green dimmer from dark to bright
5	5	5	0..255	Head 1 Blue 0-100% Blue dimmer from dark to bright
6	6	6	0..255	Head 1 White 0-100% White dimmer from dark to bright
				Head 1 Macro Color
			0..15	No Function
			16..31	Red
			32..47	Green
			48..63	Blue
			64..79	White
			80..95	Red+Green
			96..111	Red+Blue
			112..127	Red+White
			128..143	Green+Blue
			144..159	Green+White
			160..175	Blue+Wtihe
			176..191	R+G+B
			192..207	R+G+B+W
			208..212	2700K
			213..217	3200K
218..222	3500K			
223..227	5000K			
228..232	5500K			
233..237	6000K			
238..242	6500K			
243..247	7000K			
248..255	8000K			