



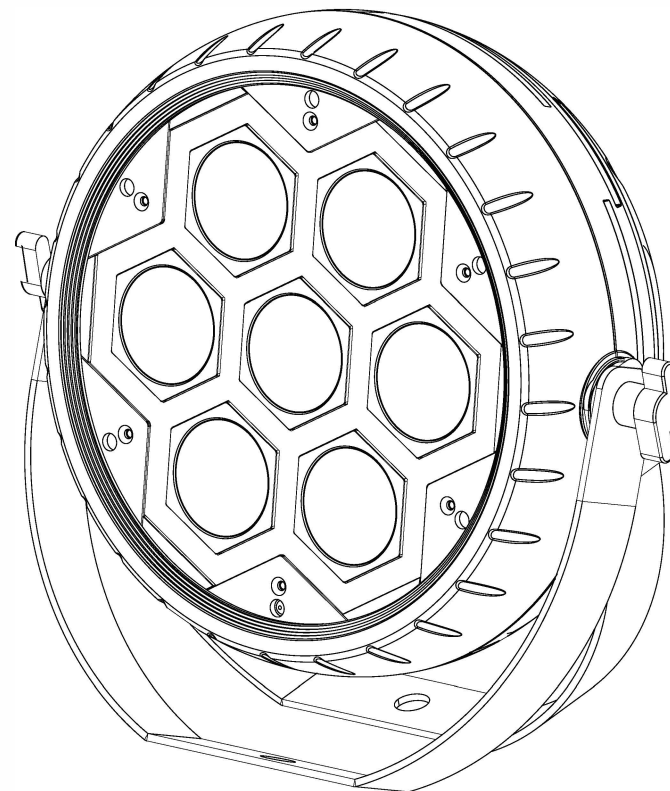
### Warranty:

The 2-year warranty period begins the date of purchase from an authorized dealer. Please keep a copy of your invoice (proof of purchase) as this will be required when submitting a warranty related inquiry.

**The manufacturer, its dealers or representatives will not accept liability or warranty claims for damages or personal injuries resulting from:**

- Damage due to improper installation or operation, negligence, abuse, or not following instructions, warnings or acceptable industry procedures.
- Damage cause during shipment or transportation of the products, all claims of this nature must be presented to the carrier.
- Any products without the original serial number and factory seal or has been serviced by a non authorized JMAZ dealer.

# RADIANT PAR TRON7



Version 1.0



## JMAZ LIGHTING

Address: 313 NEWQUIST PLACE STE B, CITY OF INDUSTRY, CA 91745 USA  
Phone: 1-626-380-0883    [www.jmazlighting.com](http://www.jmazlighting.com)    [support@jmazlighting.com](mailto:support@jmazlighting.com)

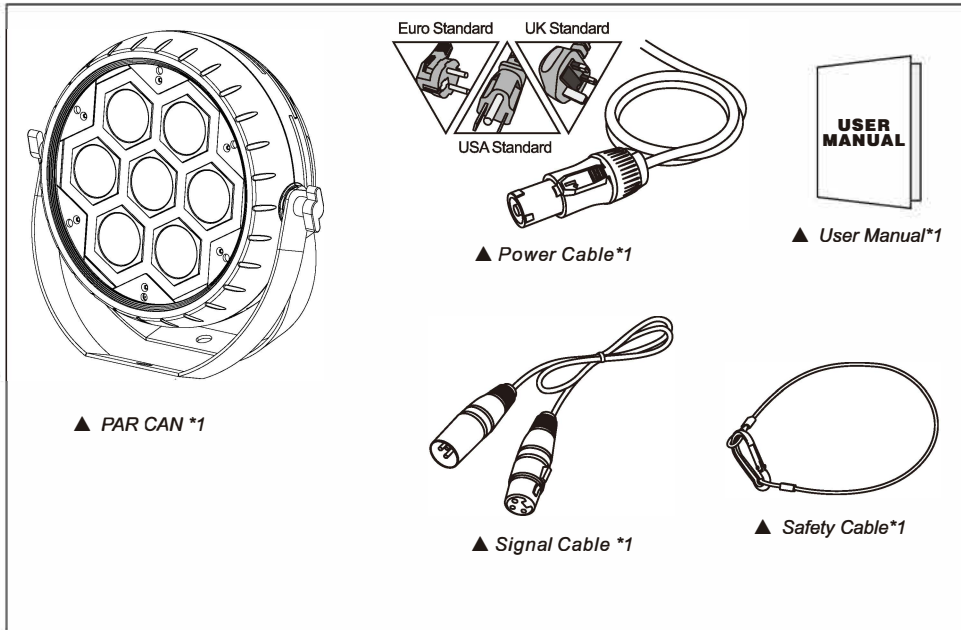
## USER MANUAL

- Be sure to read the USER MANUAL carefully before using this product

## Maintenance and cleaning

Keep the unit clean and dust free, simply wipe it using a soft lint-free cloth moistened with any good glass cleaning fluid. NOTE: DO NOT use alcohol or solvents..

## CONTENT



RADIANT PAR TRON7 is made of a new type of high temperature, high strength engineered plastic and cast aluminum casing. The fixture is designed and manufactured strictly following CE standards, in compliance with international standard DMX512 protocol. You can control this fixture independently and it is also linkable with other fixtures for operation. The RADIANT PAR TRON7 is ideal for applications in large scale live performance theater, studio, nightclubs and discos. This user manual covers the important information regarding installation and applications. Please securely store this manual for future reference.

**Thank you for choosing the RADIANT PAR TRON7. JMAZ Lighting is committed to providing quality defect-free products. All JMAZ Lighting products are tested before leaving the factory and are warranted against defects in materials and workmanship.**

This device has left our premises in absolutely perfect working condition. In order to maintain this condition and to ensure a safe operation, follow the safety instructions and warning notes written in this manual.

### CAUTION:

- Do not open or alter the casing, high voltage circuitry can result in damage to the light or personal injury.
- Keep this light away from rain or moisture and always use in a well-ventilated area.
- DO not look straight into the light Under no circumstances.
- During normal use the unit may become hot, please allow the unit to cool down before stowing it away.
- Make sure the unit is disconnected from power during routine maintenance cleaning.
- Only connect to power source with-in the operating range

**RADIANT PAR TRON7**

Unique and vibrant, the new RADIANT PAR TRON7 delivers eye catching light shows. Controls include DMX and sound active. Powered by 7 x 12W HEX color (RGBWA-UV) LED's and 60 x 0.2W RGB LED's to create graphic overlay and color macros ranging from 2800K to 8000k. Measuring 10.4" in diameter, the RADIANT PAR TRON7 will add character to any event.

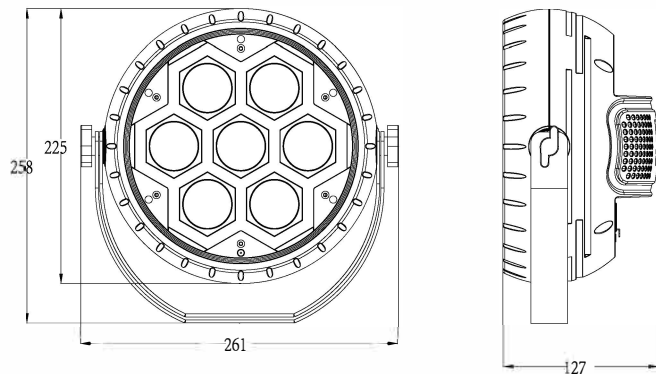
**SPECIFICATIONS:**

- 7 x 12 Watt HEX (RGBWA+UV) LEDs + 60 x 0.2 Watt RGB LEDs
- 'Tron' Effect Graphic Overlay
- Color Temperature Macros from 2800K~8000K
- Power-con In/Out, 5-Pin DMX In/Out
- Control: DMX, Master/Slave, Stand Alone, Sound Activated,
- IR Remote Control
- DMX Channel Modes: 8/10/14/26
- Input Voltage: AC 90-260V 50-60Hz
- Max Power Consumption: 110W
- Fixture Dimensions: 10.4" x 8.3" x 4.6"
- Fixture Weight: 5.2 lbs.
- Box Dimensions: 11" x 6.1" x 9.6"
- Box Weight: 6.2 lbs.

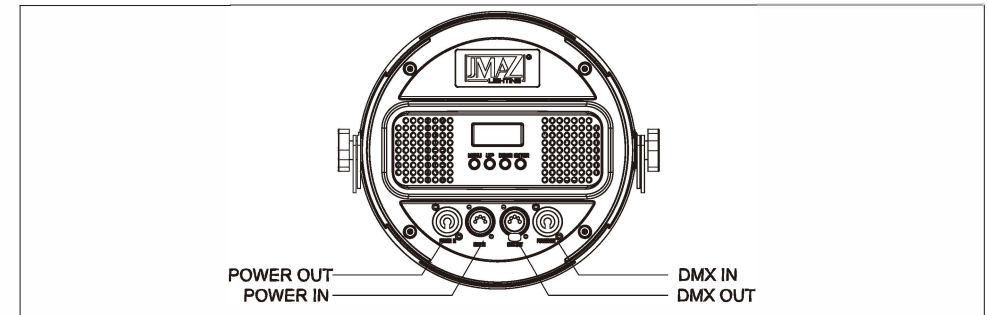
Product Name: RADIANT PAR TRON7

MPN/SKU: JZ1030

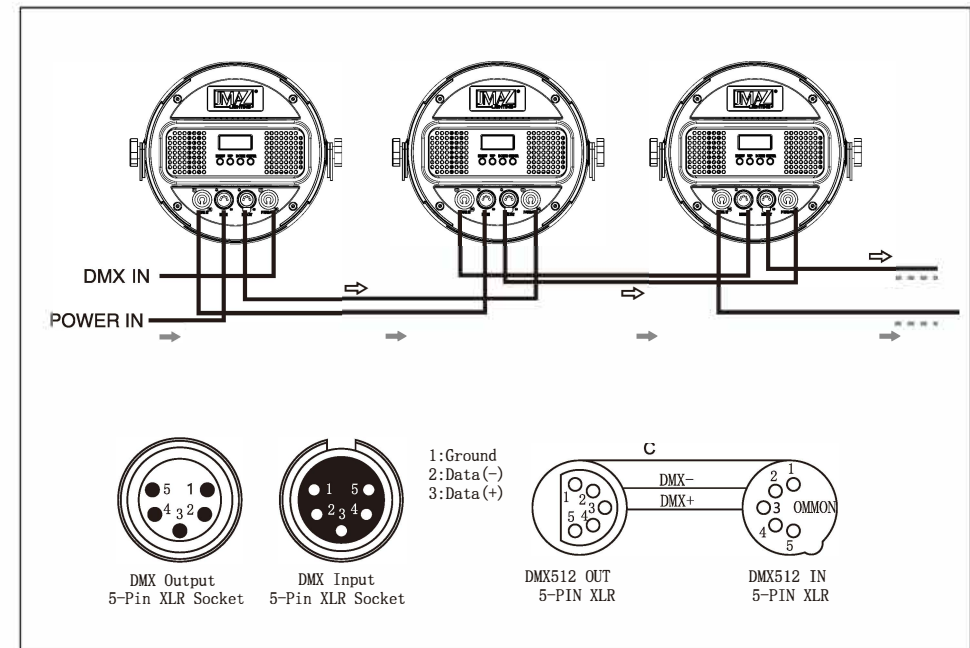
UPC: 093674449763



**9.CONTROL CONNECTION**



Connect the provided XLR cable to the female 5-pin XLR output of your controller and the other side to the male 5-pin XLR input of the moving head. You can chain multiple fixtures together through serial linking. The cable needed should be two core, screened cable with XLR input and output connectors. Please refer to the diagram below. DMX-512 connection with DMX terminal. For installations where the DMX cable has to run a long distance or is in an electrically noisy environment, such as in a night club, it is recommended to use a DMX terminator. This helps in preventing corruption of the digital control signal by electrical noise. The DMX terminator is simply an XLR plug with a 3 resistor connected between pins 2 and 3, which is then plugged into the output XLR socket of the last fixture in the chain. Please see illustration below.



25	13		<b>Macro RUN</b>
		0..15	No function
		16..31	Macro Run 1
		32..47	Macro Run 2
		48..63	Macro Run 3
		64..79	Macro Run 4
		80..95	Macro Run 5
		96..111	Macro Run 6
		112..127	Macro Run 7
		128..143	Macro Run 8
		144..159	Macro Sound 1
		160..175	Macro Sound 2
		176..191	Macro Sound 3
		192..207	Macro Sound 4
208..223	Macro Sound 5		
224..239	Macro Sound 6		
240..255	Macro Sound 7		
26	14		<b>Macro Speed</b>
		0..255	Macro Speed from Slow To Fast

**1. ON AND OFF**

The LEDs can be switched on with the button ON and switched off with the button OFF.

**2.ADJUST BRIGHTNESS AND SPEED**

Use the buttons and to adjust the brightness for the static colors or speed in program mode.

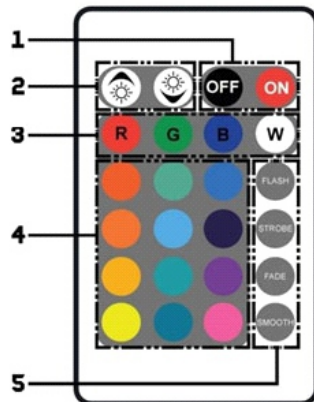
**3.SELET BASIC COLOR**

- R: Select red color
  - G: Select green color
  - B: Select blue color
  - W: Select white color
- 4.COLOR BUTTONS**

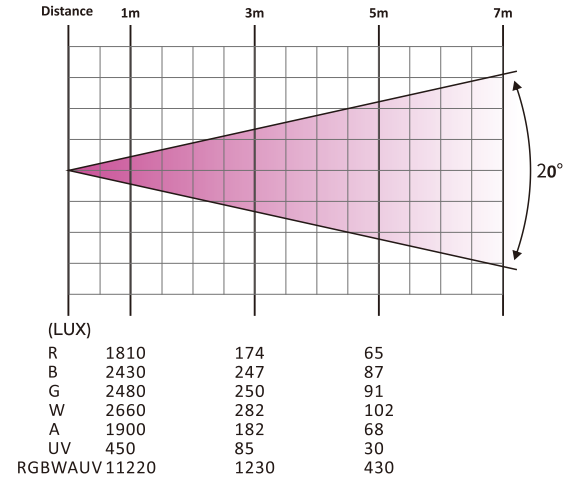
For constant lighting of all LEDs in one color, press the corresponding color button.

**5.SELECTING AN INTERNAL PROGRAM**

- FLASH: Color switch
- STROBE: Color strobe
- FADE: Color fade
- SMOOTH: Color switch and strobe



**PHOTOMETRICS DIAGRAM**



**OPERATION INSTRUCTIONS**

- **RADIANT PAR TRON7** provides a wash effect for stage decoration purpose.
- Do not immediately operate the fixture if it has been through severe temperature changes during storage or transportation as this may damage the unit. Please allow the fixture to return to normal temperature.
- The fixture should be stored properly when in transportation to avoid violent shaking or movement. Do not expose the fixture to elements that include high heat, moisture, or an environment with too much dust when in operation.
- Do not place any power cables exposed on the ground as it may cause electronic shock.
- Make sure the fixture is securely installed in a safe location when installing.
- Use safety chain or safety cable when installing and ensure bolts or screws are securely fastened.
- Make sure the lens is in good condition. It is recommended to replace the fixture if there is any damages or severe scratches.
- Make sure the fixture is operated by qualified personnel who has read this user manual. Do not attempt to repair the fixture without consulting with JMAZ Lighting or one of its authorized repair facilities. JMAZ Lighting has the right to void any warranty or service to the fixture if there are any malfunctions caused by disregard of this user manual.



## INSTALLATIONS

### Cautions:

For added protection mount the fixtures in areas outside walking paths, seating areas, or in areas where the fixture might be reached by unauthorized personnel.

Before mounting the fixture to any surface, make sure that the installation area can hold a minimum point load of 10 times the device weight.

Fixture installation must always be secured with a secondary safety attachment, such as an appropriate safety cable.

Never stand directly below the device when mounting, removing, or servicing the fixture from a ceiling, or set on a flat level surface (see illustration below). Be sure this fixture is kept at least 0.5m (1.5 ft) away from any flammable materials (decoration etc.).

Always use and install the supplied safety cable as a safety measure to prevent accidental damage and/or injury in the event the clamp fails.

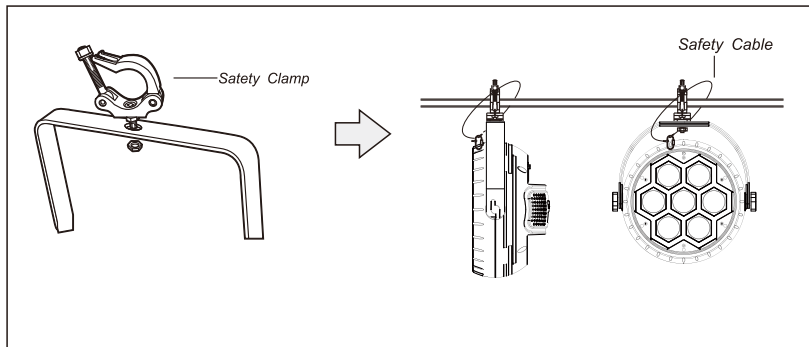
### Mounting points:

Overhead mounting requires extensive experience, including amongst others calculating working load limits, a fine knowledge of the installation material being used, and periodic safety inspection of all installation material and the fixture. If you lack these qualifications, do not attempt the installation yourself. Improper installation can result in bodily injury.

Be sure to complete all rigging and installation procedures before connecting the main power cord to the appropriate wall outlet.

### Clamp Mounting:

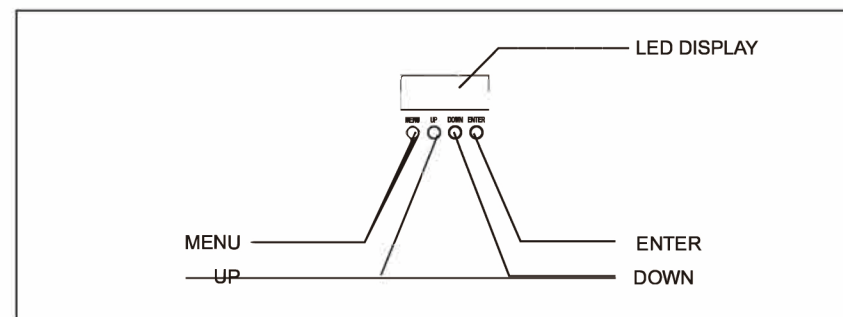
The RADIANT PAR TRON7 provides a unique mounting bracket assembly that integrates the bottom of the base, and the safety cable rigging point in one unit (see the illustration below). When mounting this fixture to truss be sure to secure an appropriately rated clamp to the included omega bracket using a M10 screw fitted through the center hole of the handle. As an added safety measure be sure to attach at least one properly rated safety cable to the fixture using one of the safety cable rigging points integrated in the base assembly.



17	11	9	7	0..15	Pix_Macro No Function
				16..29	Pix Dynamic Scene1
				30..43	Pix Dynamic Scene2
				44..57	Pix Dynamic Scene3
				58..71	Pix Dynamic Scene4
				72..85	Pix Dynamic Scene5
				86..99	Pix Dynamic Scene6
				100..113	Pix Dynamic Scene7
				114..127	Pix Dynamic Scene8
				128..143	Pix Dynamic Scene9
				142..155	Pix Dynamic Scene10
				156..169	Pix Dynamic Scene11
				170..183	Pix Dynamic Scene12
				184..197	Pix Dynamic Scene13
				198..211	Pix Dynamic Scene14
				212..225	Pix Dynamic Scene15
				226..239	Pix Dynamic Scene16
240..255	Pix Dynamic Scene17				
18	12	10	8	0..255	Pix_Macro_Speed Slow to Fast
					Expand Patterns No Function
19				0..15	No Function
				16..29	Pix Dynamic Scene1
				30..43	Pix Dynamic Scene2
				44..57	Pix Dynamic Scene3
				58..71	Pix Dynamic Scene4
				72..85	Pix Dynamic Scene5
				86..99	Pix Dynamic Scene6
				100..113	Pix Dynamic Scene7
				114..127	Pix Dynamic Scene8
				128..143	Pix Dynamic Scene9
				142..155	Pix Dynamic Scene10
				156..169	Pix Dynamic Scene11
				170..183	Pix Dynamic Scene12
				184..197	Pix Dynamic Scene13
				198..211	Pix Dynamic Scene14
				212..225	Pix Dynamic Scene15
				226..239	Pix Dynamic Scene16
240..255	Pix Dynamic Scene17				
20					Pix_Foreground dimmer
				0..255	Pix_Expand Patterns Foreground dimmer 0 – 100%. (Foreground Color Share with "Red,Green,Blue" Channel)
21				0..255	Pix_Background dimmer
22				0..255	Pix_Expand Patterns Background dimmer 0 – 100%.
					Pix_Background Red
23				0..255	0-100%Pix_Background Red dimmer from dark to bright
					Pix_Background Green
24				0..255	0-100% Pix_Background Green dimmer from dark to bright
					Pix_Background Blue
				0..255	0-100% Pix_Background Blue dimmer from dark to bright

7	7	176..179	R+G+W+UV	
		180..183	R+G+A+UV	
		184..187	R+W+UV	
		188..191	R+A+UV	
		192..195	R+B+W+A	
		196..199	R+B+W+UV	
		200..203	R+B+A+UV	
		204..207	R+W+A+UV	
		208..211	G+B+W+A	
		212..215	G+B+W+UV	
		216..219	G+B+A+UV	
		220..223	G+W+A+UV	
		224..227	B+W+A+UV	
		228..231	R+G+B+W+A	
232..235	R+G+B+W+UV			
236..239	R+G+B+A+UV			
240..243	R+G+W+A+UV			
244..247	R+B+W+A+UV			
248..251	G+B+W+A+UV			
252..255	R+G+B+W+A+UV			
8	8		Color Temp	
		0..15	No Function	
		16..45	Below 3200K	
		46..75	3200K - 3500K	
		76..105	3500K - 5000K	
		106..135	5000K - 5500K	
		136..165	5500K - 6000K	
166..195	6000K - 6500K			
196..225	6500K - 7000K			
226..255	7000K - 8000K			
9	9	7		Dimmer
			0..255	Dimmer 0%...100%
10	10	8		Shutter
			0..31	Shutter closed
			32..63	shutter open
			64..95	Strobe effect slow to fast
			96..127	shutter open
			128..159	Pulse-effect in sequences slow to fast
			160..191	shutter open
			192..223	Random strobe effect slow to fast
224..255	shutter open			
11				Pix Dimmer
			0..255	Pix Dimmer 0%...100%
12				Pix Strobe
			0..255	Pix Strobe Speed 0%...100%
13				Pix Red
			0..255	0-100% Pix Red dimmer from dark to bright
14				Pix Green
			0..255	0-100% Pix Green dimmer from dark to bright
15				Pix Blue
			0..255	0-100% Pix Blue dimmer from dark to bright
16				Pix_color
			0..0	No Function
			1..15	Red
			16..31	Green
			32..47	Blue
			48..63	Red+Blue
			64..79	Red+Green
			80..95	Green+Blue
			96..111	Red+Blue+Green
			112..127	2700K
			128..143	3200K
			144..159	3500K
			160..175	5000K
			176..191	5500K
			192..207	6000K
			208..223	6500K
224..239	7000K			
240..255	8000K			

## MENU OPERATIONS



MENU		Description	
DMX	A001~AXXX (AXXX)	DMX Address Setting	
Channel	CH08/CH10/CH14(Default)/CH26	Channel Selection	
Color	LED	LED 00-63	Built-in Colors
	TRON	TRON00-24	TRON Colors and Scene
AutoPro	Program	Program1...Program8	Internal Program
	SpeedSet	Speed-1~Speed-10 (Speed Adjustment)	Internal Program Speed
SoundPro	Program	Program1...Program7	Internal Program
	Mic Sens	M-00~99%	Microphone Sensitivity Setting
Master	ON/OFF		Auto Pro and Sound Pro Master/Slave
Setting	DimCurve	Standard/Stage/Archit./ Theatre	Dimming Curve
	IrRemote	ON/OFF	IR Remote
	Factory	ON/OFF	Reset Default Setting
	Cal.	Code (Password 088) CH03—CH06	Calibration Calibrate Channel
Manual	CXXX	000-255	Manual Control Channel
Info.	VER X.X	Version	Software Version
	TEMPXXX°C	Temperature	Current Temperature
Reset	ON/OFF		Reset all

Remark: LED Color Table

0	No Color	16	B+W	32	G+B+W	48	R+B+W+A
1	Red	17	B+A	33	G+B+A	49	R+B+W+UV
2	Green	18	B+UV	34	G+B+UV	50	R+B+A+UV
3	Blue	19	W+A	35	G+W+A	51	R+W+A+UV
4	White	20	W+UV	36	G+W+UV	52	G+B+W+A
5	Amber	21	A+UV	37	G+A+UV	53	G+B+W+UV
6	UV	22	R+G+B	38	B+W+A	54	G+B+A+UV
7	R+G	23	R+G+W	39	B+W+UV	55	G+W+A+UV
8	R+B	24	R+G+A	40	B+A+UV	56	B+W+A+UV
9	R+W	25	R+G+UV	41	W+A+UV	57	R+G+B+W+A
10	R+A	26	R+B+W	42	R+G+B+W	58	R+G+B+W+UV
11	R+UV	27	R+B+A	43	R+G+B+A	59	R+G+B+A+UV
12	G+B	28	R+B+UV	44	R+G+B+UV	60	R+G+W+A+UV
13	G+W	29	R+W+A	45	R+G+B+A	61	R+B+W+A+UV
14	G+A	30	R+W+UV	46	R+G+W+UV	62	G+B+W+A+UV
15	G+UV	31	R+A+UV	47	R+G+A+UV	63	R+G+B+W+A+UV

Remark: TRON Color Table

0	NoColor	2	Green	4	R+B	6	G+B
1	Red	3	Blue	5	R+G	7	R+G+B
8	TRONRun 1	9	TRONRun 2	10	TRONRun 3	11	TRONRun 4
12	TRONRun 5	13	TRONRun 6	14	TRONRun 7	15	TRONRun 8
16	TRONRun 9	17	TRONRun 10	18	TRONRun 11	19	TRONRun 12
20	TRONRun 13	21	TRONRun 14	22	TRONRun 15	23	TRONRun 16
24	TRONRun 17						

DMX PROTOCOL

Mode/Channel				Value	Function
CH26	CH14	CH10	CH08		
1	1	1	1	0..255	Red 0-100% Red dimmer from dark to bright
2	2	2	2	0..255	Green 0-100% Green dimmer from dark to bright
3	3	3	3	0..255	Blue 0-100% Blue dimmer from dark to bright
4	4	4	4	0..255	White 0-100% White dimmer from dark to bright
5	5	5	5	0..255	Amber 0-100% Amber dimmer from dark to bright
6	6	6	6	0..255	UV 0-100% UV dimmer from dark to bright
					Macro Color
				0..3	No Function
				4..7	Red
				8..11	Green
				12..15	Blue
				16..19	White
				20..23	R+G
				24..27	R+B
				28..31	R+W
				32..35	R+A
				36..39	R+UV
				40..41	G+B
				44..47	G+W
				48..51	G+A
				52..55	G+UV
				56..59	B+W
				60..63	B+A
				64..67	B+UV
				68..71	W+A
				72..75	W+UV
				76..79	A+UV
				80..83	R+G+B
				84..87	R+G+W
				88..91	R+G+A
				92..95	R+G+UV
				96..99	R+B+W
				100..103	R+B+A
				104..107	R+B+UV
				108..111	R+W+A
				112..115	R+W+UV
				116..119	R+A+UV
				120..123	G+B+W
				124..127	G+B+A
				128..131	G+B+UV
				132..135	G+W+A
				136..140	G+W+UV
				140..143	G+A+UV
				144..147	B+W+A
				148..151	B+W+UV
				152..155	B+A+UV
				156..159	W+A+UV
				160..163	R+G+B+W
				164..167	R+G+B+A
				168..171	R+G+B+UV
				172..175	R+G+B+A