



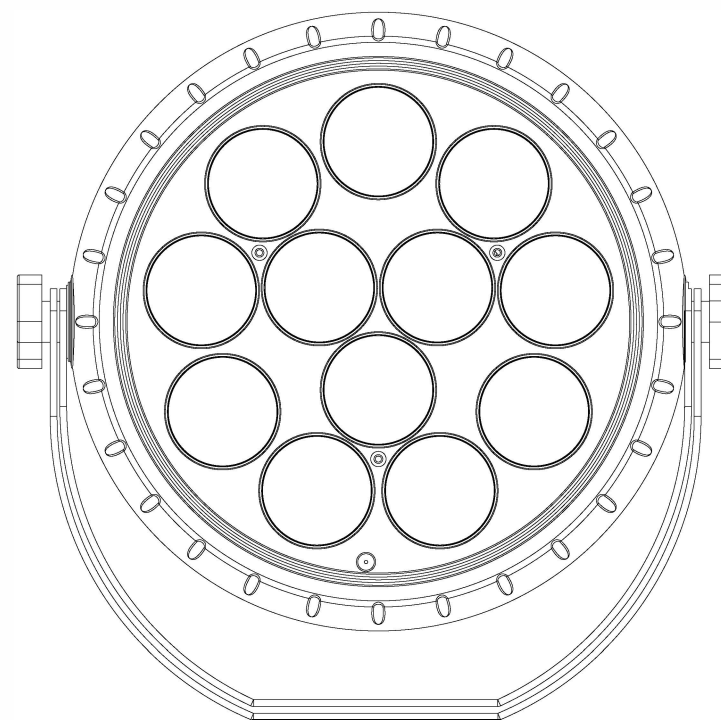
Warranty:

The 2-year warranty period begins the date of purchase from an authorized dealer. Please keep a copy of your invoice (proof of purchase) as this will be required when submitting a warranty related inquiry.

The manufacturer, its dealers or representatives will not accept liability or warranty claims for damages or personal injuries resulting from:

- Damage due to improper installation or operation, negligence, abuse, or not following instructions, warnings or acceptable industry procedures.
- Damage cause during shipment or transportation of the products, all claims of this nature must be presented to the carrier.
- Any products without the original serial number and factory seal or has been serviced by a non authorized JMAZ dealer.

RADIANT PAR QUAD12



Version 1.0



JMAZ LIGHTING

Address: 313 NEWQUIST PLACE STE B, CITY OF INDUSTRY, CA 91745 USA

Phone: 1-626-380-0883 www.jmazlighting.com support@jmazlighting.com

USER MANUAL

- Be sure to read the USER MANUAL carefully before using this product.

Thank you for choosing the RADIANT PAR HEX12 , JMAZ Lighting is committed to providing quality defect-free products. All JMAZ Lighting products are tested before leaving the factory and are warranted against defects in materials and workmanship.

This device has left our premises in absolutely perfect working condition. In order to maintain this condition and to ensure a safe operation, follow the safety instructions and warning notes written in this manual.

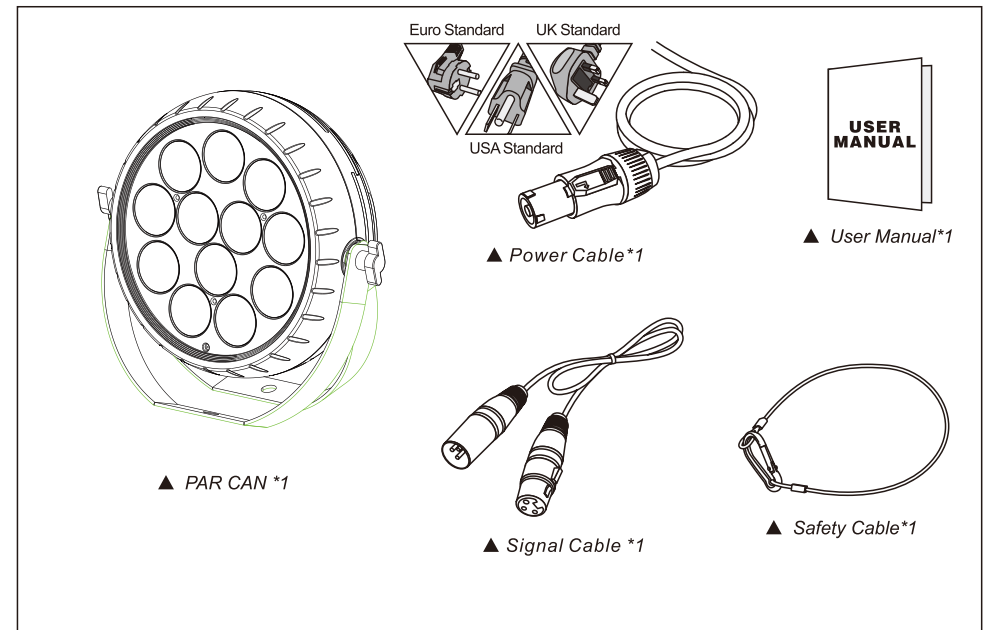
CAUTION:

- Do not open or alter the casing, high voltage circuitry can result in damage to the light or personal injury.
- Keep this light away from rain or moisture and always use in a well-ventilated area.
- DO not look straight into the light Under no circumstances.
- During normal use the unit may become hot, please allow the unit to cool down before stowing it away.
- Make sure the unit is disconnected from power during routine maintenance cleaning.
- Only connect to power source with-in the operating range

Maintenance and cleaning

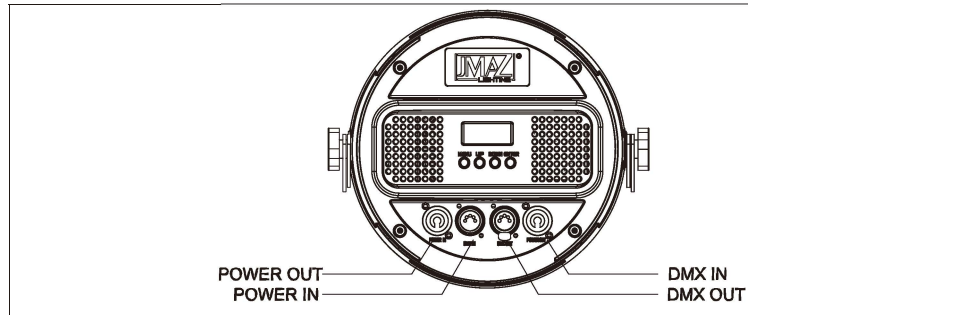
Keep the unit clean and dust free, simply wipe it using a soft lint-free cloth moistened with any good glass cleaning fluid. NOTE: DO NOT use alcohol or solvents..

CONTENT

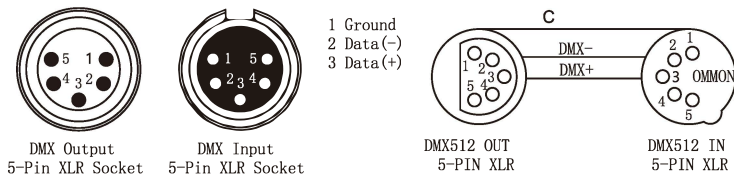
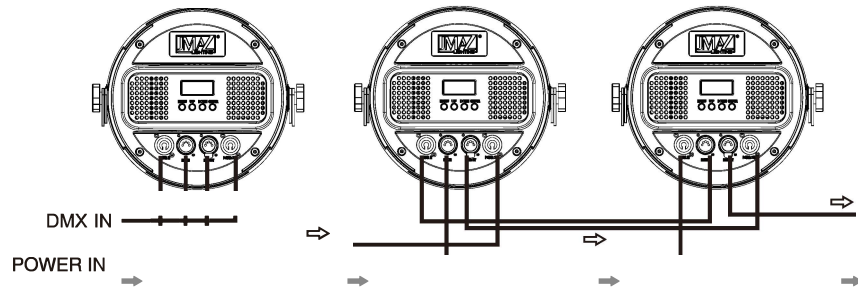


RADIANT PAR QUAD 12 is made of a new type of high temperature, high strength engineered plastic and cast aluminum casing. The fixture is designed and manufactured strictly following CE standards, in compliance with international standard DMX512 protocol. You can control this fixture independently and it is also linkable with other fixtures for operation. The RADIANT PAR QUAD 12 is ideal for applications in large scale live performance theater, studio, nightclubs and discos. This user manual covers the important information regarding installation and applications. Please securely store this manual for future reference.

9.CONTROL CONNECTION



Connect the provided XLR cable to the female 5-pin XLR output of your controller and the other side to the male 5-pin XLR input of the moving head. You can chain multiple fixtures together through serial linking. The cable needed should be two core, screened cable with XLR input and output connectors. Please refer to the diagram below. DMX-512 connection with DMX terminal. For installations where the DMX cable has to run a long distance or is in an electrically noisy environment, such as in a night club, it is recommended to use a DMX terminator. This helps in preventing corruption of the digital control signal by electrical noise. The DMX terminator is simply an XLR plug with a 3 resistor connected between pins 2 and 3, which is then plugged into the output XLR socket of the last fixture in the chain. Please see illustration below.



RADIANT PAR QUAD12

Unique and aggressive, the new RADIANT PAR QUAD12 delivers smooth and bright light shows. Controls include DMX and sound active. Powered by 12 x 10W Quad color (RGBA) LED's to create color macros raging from 2800K to 8000K. Measuring 10.4" in diameter, the RADIANT PAR QUAD12 will add character and intensity to any event.

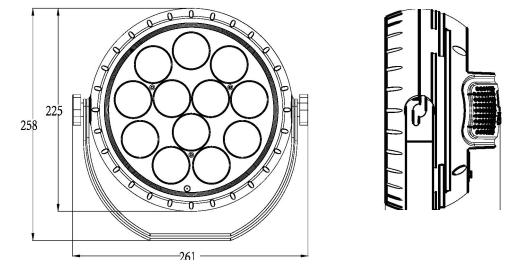
SPECIFICATIONS:

- 12 x 10 Watt QUAD (RGBA) LEDs
- Dynamic Ring Effect with Zone Control
- Color Temperature Macros from 2800K~8000K
- Power-con In/Out, 5-Pin DMX In/Out
- Control: DMX, Master/Slave, Stand Alone,
- Sound Activated, IR Remote Control
- DMX Channel Modes: 4/10/18
- Input Voltage: AC 90-260V 50-60Hz
- Max Power Consumption: 140W
- Fixture Dimensions: 10.4" x 8.3" x 4.6"
- Fixture Weight: 4.1 lbs.
- Box Dimensions: 11" x 6.1" x 9.6"
- Box Weight: 6.2 lbs

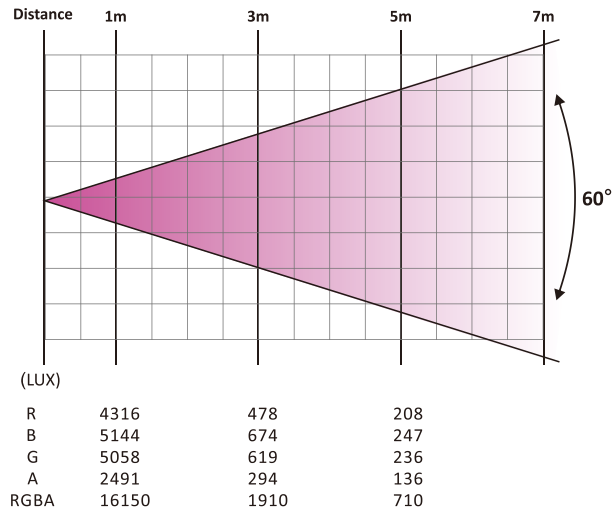
Product Name: RADIANT PAR QUAD12

MPN/SKU: JZ1027

UPC: 093674450493



PHOTOMETRICS DIAGRAM



OPERATION INSTRUCTIONS

- RADIANT PAR QUAD 12 provides a wash effect for stage decoration purpose.
- Do not immediately operate the fixture if it has been through severe temperature changes during storage or transportation as this may damage the unit. Please allow the fixture to return to normal temperature.
- The fixture should be stored properly when in transportation to avoid violent shaking or movement. Do not expose the fixture to elements that include high heat, moisture, or an environment with too much dust when in operation.
- Do not place any power cables exposed on the ground as it may cause electronic shock.
- Make sure the fixture is securely installed in a safe location when installing.
- Use safety chain or safety cable when installing and ensure bolts or screws are securely fastened.
- Make sure the lens is in good condition. It is recommended to replace the fixture if there is any damages or severe scratches.
- Make sure the fixture is operated by qualified personnel who has read this user manual. Do not attempt to repair the fixture without consulting with JMAZ Lighting or one of its authorized repair facilities. JMAZ Lighting has the right to void any warranty or service to the fixture if there are any malfunctions caused by disregard of this user manual.

11				Red1
	0..255	0-100%	Red1	dimmer from dark to bright
12				Green1
	0..255	0-100%	Green1	dimmer from dark to bright
13				Blue1
	0..255	0-100%	Blue1	dimmer from dark to bright
14				White1
	0..255	0-100%	White1	dimmer from dark to bright
15				Red2
	0..255	0-100%	Red2	dimmer from dark to bright
16				Green2
	0..255	0-100%	Green2	dimmer from dark to bright
17				Blue2
	0..255	0-100%	Blue2	dimmer from dark to bright
18				White2
	0..255	0-100%	White2	dimmer from dark to bright

1. ON AND OFF

The LEDs can be switched on with the button ON and switched off with the button OFF.

2.AJUST BRIGHTNESS AND SPEED

Use the buttons and to adjust the brightness for the static colors or speed in program mode.

3.SELET BASIC COLOR

R: Select red color

G: Select green color

B: Select blue color

W: Select white color

4.COLOR BUTTONS

For constant lighting of all LEDs in one color, press the corresponding color button.

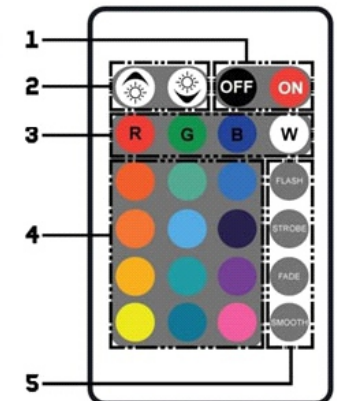
5.SELECTING AN INTERNAL PROGRAM

FLASH: Color switch

STROBE: Color strobe

FADE: Color fade

SMOOTH: Color switch and strobe



			238..242	Sky blue
			243..247	Bluepurple
			248..255	Purple
8	8			Color Temp
			0..15	No Function
			16..45	Below3200K
			46..75	3200K- 3500K
			76..105	3500K- 5000K
			106..135	5000K- 5500K
			136..165	5500K- 6000K
			166..195	6000K- 6500K
			196..225	6500K- 7000K
			226..255	7000K- 8000K
9	9			Macro RUN
			0..15	No function
			16..25	Macro Run 1
			26..35	Macro Run 2
			36..45	Macro Run 3
			46..55	Macro Run 4
			56..65	Macro Run 5
			66..75	Macro Run 6
			76..85	Macro Run 7
			86..95	Macro Run 8
			96..105	Macro Run 9
			106..115	Macro Run 10
			116..125	Macro Run 11
			126..135	Macro Run 12
			136..145	Macro Sound1
			146..155	Macro Sound2
			156..165	Macro Sound3
			166..175	Macro Sound4
			176..185	Macro Sound5
			186..195	Macro Sound6
	196..205	Macro Sound7		
	206..215	Macro Sound8		
	216..225	Macro Sound9		
	226..235	Macro Sound10		
	236..255	Macro Sound11		
10	10			Macro Speed
			0..255	Macro Speed from Slow To Fast

INSTALLATIONS

Cautions:

For added protection mount the fixtures in areas outside walking paths, seating areas, or in areas where the fixture might be reached by unauthorized personnel.

Before mounting the fixture to any surface, make sure that the installation area can hold a minimum point load of 10 times the device weight.

Fixture installation must always be secured with a secondary safety attachment, such as an appropriate safety cable.

Never stand directly below the device when mounting, removing, or servicing the fixture from a ceiling, or set on a flat level surface (see illustration below). Be sure this fixture is kept at least 0.5m (1.5 ft) away from any flammable materials (decoration etc.).

Always use and install the supplied safety cable as a safety measure to prevent accidental damage and/or injury in the event the clamp fails.

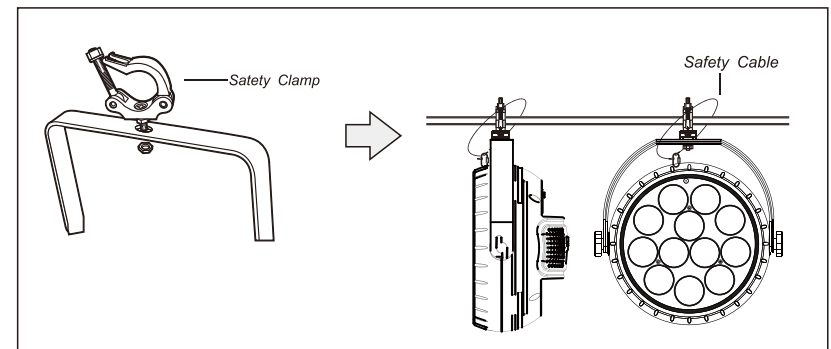
Mounting points:

Overhead mounting requires extensive experience, including amongst others calculating working load limits, a fine knowledge of the installation material being used, and periodic safety inspection of all installation material and the fixture. If you lack these qualifications, do not attempt the installation yourself. Improper installation can result in bodily injury.

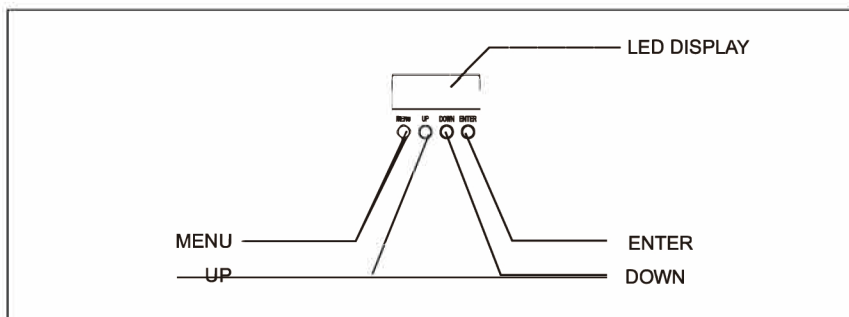
Be sure to complete all rigging and installation procedures before connecting the main power cord to the appropriate wall outlet.

Clamp Mounting:

The RADIANT PAR QUAD 12 provides a unique mounting bracket assembly that integrates the bottom of the base, and the safety cable rigging point in one unit (see the illustration below). When mounting this fixture to truss be sure to secure an appropriately rated clamp to the included omega bracket using a M10 screw fitted through the center hole of the handle. As an added safety measure be sure to attach at least one properly rated safety cable to the fixture using one of the safety cable rigging points integrated in the base assembly.



MENU OPERATIONS



MENU		Description	
DMX	A001~AXXX (AXXX)	DMX Address Setting	
Channel	CH04/CH10(Default)/CH18	Channel Selection	
Color	LED LED00-15	Built-in Colors	
AutoPro	Program	Program1...Program12	Internal Program
	SpeedSet	Speed-1~Speed-10(SpeedAdjustment)	Internal Program Speed
SoundPro	Program	Program1...Program11	Internal Program
	Mic Sens	M-00~99%	Microphone Sensitivity Setting
Master	ON/OFF	Auto Pro and Sound Pro Master / Slave	
Setting	DimCurve	Standard/Stage/Archit./Theatre	DimmerCurve
	IR Set	ON/OFF	IR Remote
	Factory	Default	Resetto Default Setting
	Cal.	Code (Password : 088) CH03—CH06	Calibration Calibrate Channel
MANUAL	CXXX 000-255	Manual Control Channel	
Info.	VER X.X	Version	Software Version
	TEMPXXX°C	Temperature	Current Temperature
REST	ON/OFF	Reset all	

Remark: LED Color Table

0	No Color	4	Amber	8	G+B	12	R+G+A
1	Red	5	R+G	9	G+A	13	R+B+A
2	Green	6	R+B	10	B+A	14	B+G+A
3	Blue	7	R+A	11	R+G+B	15	R+B+G+A

DMX PROTOCOL

Mode/Channel	Value	Function		
CH18	CH10(Default)	CH04		
1	1	1	Red 0..255 0-100% Red dimmer from dark to bright	
2	2	2	Green 0..255 0-100% Green dimmer from dark to bright	
3	3	3	Blue 0..255 0-100% Blue dimmer from dark to bright	
4	4	4	Amber 0..255 0-100% Amber dimmer from dark to bright	
5	5		Dimmer 0..255 Dimmer 0%...100%	
6	6		Shutter 0..31 Shutter closed 32..63 shutter open 64..95 Strobe effect slow to fast 96..127 shutter open 128..159 Pulse effect in sequences slow to fast 160..191 shutter open 192..223 Random strobe effect slow to fast 224..255 shutter open	
			Macro Color 0..15 No Function 16..31 Red 32..47 Green 48..63 Blue 64..79 Amber 80..95 Red+Green 96..111 Red+Blue 112..127 Red+Amber 128..143 Green+Blue 144..159 Green+Amber 160..175 Blue+Amber 176..191 R+G+B 192..207 R+G+B+A 208..212 Orange yellow 213..217 Yellow orange 218..222 Lemon yellow 223..227 Grass green 228..232 Bluish green 233..237 Dark green	
		7	7	