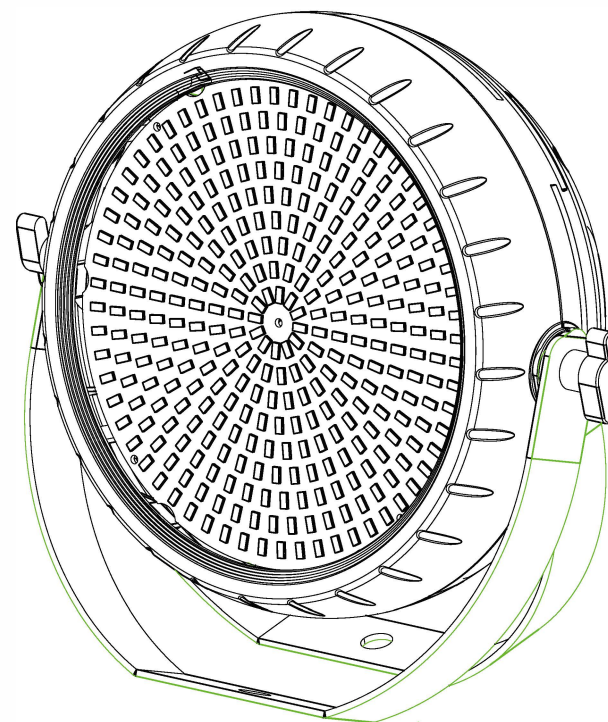


RADIANT PAR DUO



Version 1.0



JMAZ LIGHTING

Address: 313 NEWQUIST PLACE STE B, CITY OF INDUSTRY, CA 91745 USA
Phone: 1-626-380-0883 www.jmazlighting.com support@jmazlighting.com

USER MANUAL

- Be sure to read the USER MANUAL carefully before using this product.

Thank you for choosing the RADIANT PAR DUO , JMAZ Lighting is committed to providing quality defect-free products. All JMAZ Lighting products are tested before leaving the factory and are warranted against defects in materials and workmanship.

This device has left our premises in absolutely perfect working condition. In order to maintain this condition and to ensure a safe operation, follow the safety instructions and warning notes written in this manual.

CAUTION:

- Do not open or alter the casing, high voltage circuitry can result in damage to the light or personal injury.
- Keep this light away from rain or moisture and always use in a well-ventilated area.
- DO not look straight into the light Under no circumstances.
- During normal use the unit may become hot, please allow the unit to cool down before stowing it away.
- Make sure the unit is disconnected from power during routine maintenance cleaning.
- Only connect to power source with-in the operating range

Warranty:

The 2-year warranty period begins the date of purchase from an authorized dealer. Please keep a copy of your invoice (proof of purchase) as this will be required when submitting a warranty related inquiry.

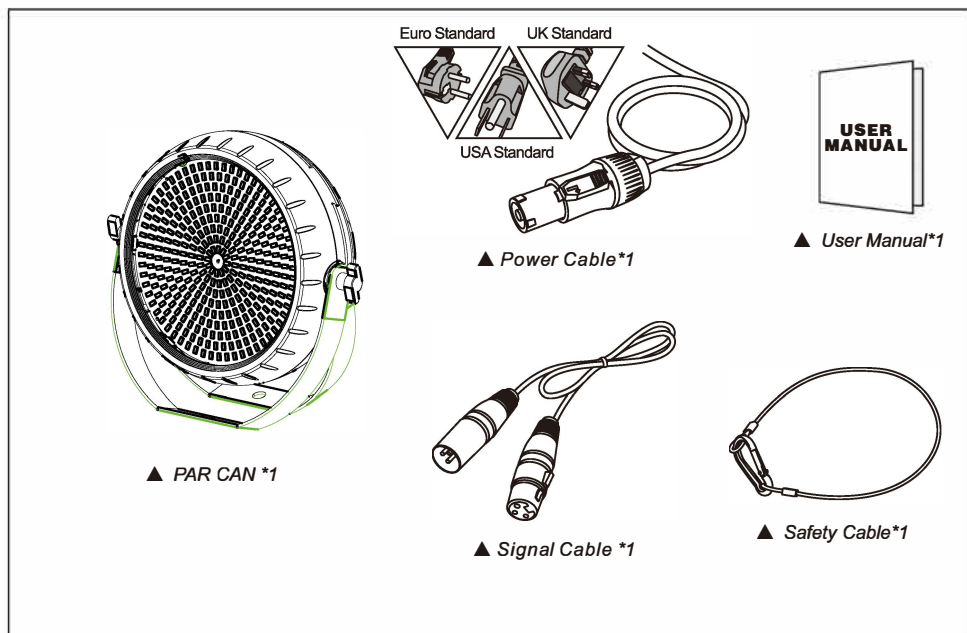
The manufacturer, its dealers or representatives will not accept liability or warranty claims for damages or personal injuries resulting from:

- Damage due to improper installation or operation, negligence, abuse, or not following instructions, warnings or acceptable industry procedures.
- Damage cause during shipment or transportation of the products, all claims of this nature must be presented to the carrier.
- Any products without the original serial number and factory seal or has been serviced by a non authorized JMAZ dealer.

Maintenance and cleaning

Keep the unit clean and dust free, simply wipe it using a soft lint-free cloth moistened with any good glass cleaning fluid. NOTE: DO NOT use alcohol or solvents..

CONTENT



RADIANT PAR DUO is made of a new type of high temperature, high strength engineered plastic and cast aluminum casing. The fixture is designed and manufactured strictly following CE standards, in compliance with international standard DMX512 protocol. You can control this fixture independently and it is also linkable with other fixtures for operation. The RADIANT PAR DUO is ideal for applications in large scale live performance theater, studio, nightclubs and discos. This user manual covers the important information regarding installation and applications. Please securely store this manual for future reference.

RADIANT PAR DUO

Cool white, warm white or both! The RADIANT PAR DUO delivers outstanding light effects with dynamic ring effect and zone control. Powered by 162 warm white and 162 cool white SMD's for a total consumption power of 180W, the RADIANT PAR DUO is the perfect solution for any event.

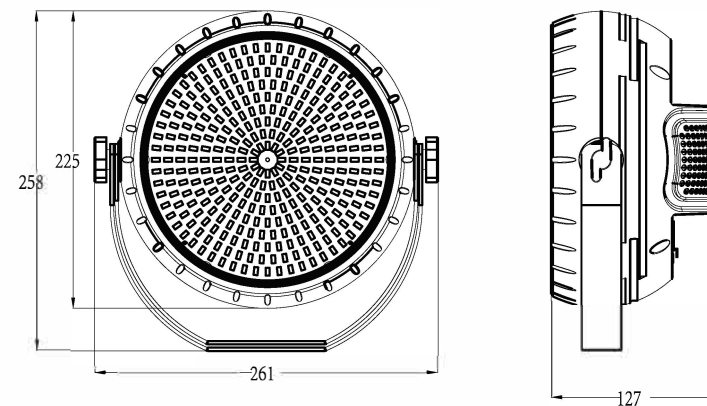
SPECIFICATIONS:

- 324 x 0.5 Watt SMD LEDs (162 Warm White LEDs/162 Cool White LEDs)
- Dynamic Ring Effect with Zone Control
- Color Temperature Macros from 2800K~8000K
- Power-con In/Out, 5-Pin DMX In/Out
- Control: DMX, Master/Slave, Stand Alone, Sound Activated, IR Remote Control
- DMX Channel Modes: 2/7/16
- Input Voltage: AC 90-260V 50-60Hz
- Max Power Consumption: 180W
- Fixture Dimensions: 10.4" x 8.3" x 4.6"
- Fixture Weight: 4.5 lbs.
- Box Dimensions: 11" x 6.1" x 9.6"
- Box Weight: 5.6 lbs.

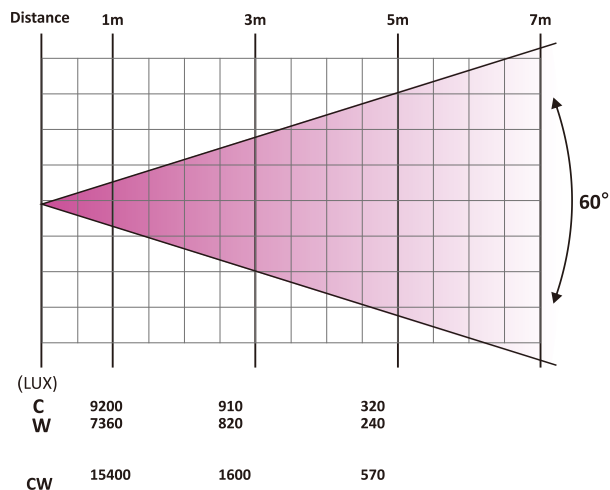
Product Name: RADIANT PAR DUO

MPN/SKU: JZ1028

UPC: 093674450523



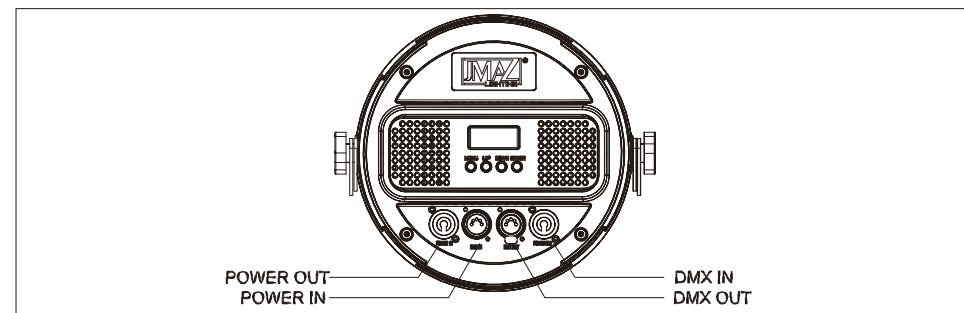
PHOTOMETRICS DIAGRAM



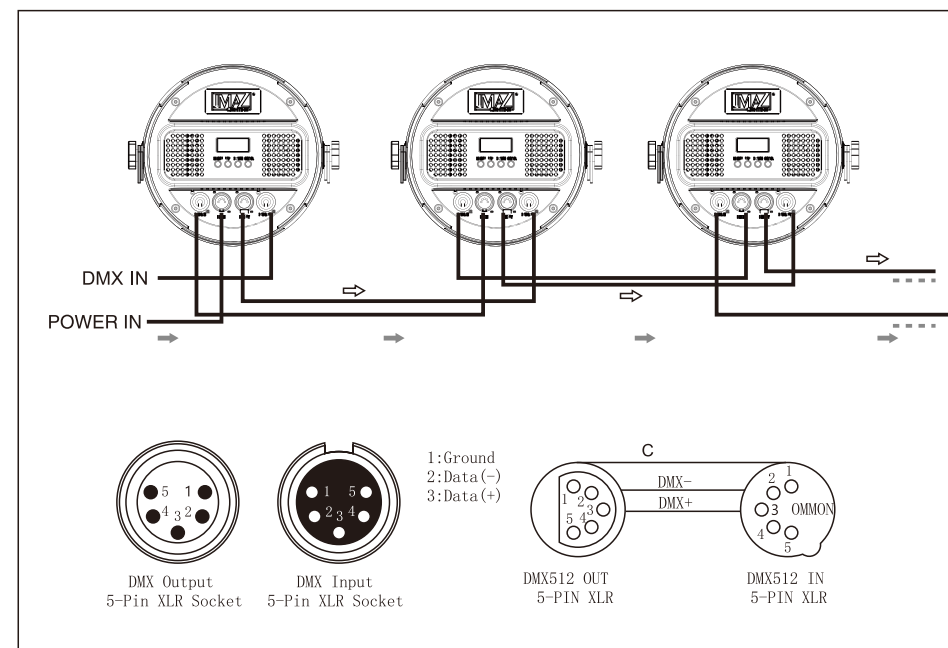
OPERATION INSTRUCTIONS

- RADIANT PAR DUO provides a wash effect for stage decoration purpose.
- Do not immediately operate the fixture if it has been through severe temperature changes during storage or transportation as this may damage the unit. Please allow the fixture to return to normal temperature.
- The fixture should be stored properly when in transportation to avoid violent shaking or movement.
- Do not expose the fixture to elements that include high heat, moisture, or an environment with too much dust when in operation.
- Do not place any power cables exposed on the ground as it may cause electronic shock.
- Make sure the fixture is securely installed in a safe location when installing.
- Use safety chain or safety cable when installing and ensure bolts or screws are securely fastened.
- Make sure the lens is in good condition. It is recommended to replace the fixture if there is any damages or severe scratches.
- Make sure the fixture is operated by qualified personnel who has read this user manual. Do not attempt to repair the fixture without consulting with JMAZ Lighting or one of its authorized repair facilities.
- JMAZ Lighting has the right to void any warranty or service to the fixture if there are any malfunctions caused by disregard of this user manual.

9.CONTROL CONNECTION



Connect the provided XLR cable to the female 5-pin XLR output of your controller and the other side to the male 5-pin XLR input of the moving head. You can chain multiple fixtures together through serial linking. The cable needed should be two core, screened cable with XLR input and output connectors. Please refer to the diagram below. DMX-512 connection with DMX terminal. For installations where the DMX cable has to run a long distance or is in an electrically noisy environment, such as in a night club, it is recommended to use a DMX terminator. This helps in preventing corruption of the digital control signal by electrical noise. The DMX terminator is simply an XLR plug with a 3 resistor connected between pins 2 and 3, which is then plugged into the output XLR socket of the last fixture in the chain. Please see illustration below.



7	7			Macro Speed
		0..255		Macro Speed from Slow To Fast
8				Warm White of Ring 1
		0..255		0-100% WarmWhite of Ring 1 dimmer from dark to bright
9				Cool White of Ring 2
		0..255		0-100% Cool White of Ring 2 dimmer from dark to bright
10				Warm White of Ring 3
		0..255		0-100% Warm White of Ring 3 dimmer from dark to bright
11				Cool White of Ring 4
		0..255		0-100% Cool White of Ring 4 dimmer from dark to bright
12				Warm White of Ring 5
		0..255		0-100% WarmWhite of Ring 5 dimmer from dark to bright
13				Cool White of Ring 6
		0..255		0-100% Cool White of Ring 6 dimmer from dark to bright
14				Warm White of Ring 7
		0..255		0-100% Warm White of Ring 7 dimmer from dark to bright
15				Cool White of Ring 8
		0..255		0-100% Cool White of Ring 8 dimmer from dark to bright
16				Warm White of Ring 9
		0..255		0-100% Warm White of Ring 9 dimmer from dark to bright

1. ON AND OFF

The LEDs can be switched on with the button ON and switched off with the button OFF.

2.ADJUST BRIGHTNESS AND SPEED

Use the buttons and to adjust the brightness for the static colors or speed in program mode.

3.SELET BASIC COLOR

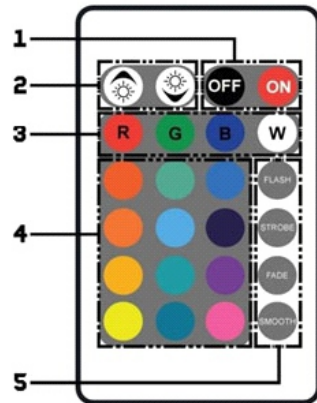
- R: Select red color
- G: Select green color
- B: Select blue color
- W: Select white color

4.COLOR BUTTONS

For constant lighting of all LEDs in one color, press the corresponding color button.

5.SELECTING AN INTERNAL PROGRAM

- FLASH: Color switch
- STROBE: Color strobe
- FADE: Color fade
- SMOOTH: Color switch and strobe



INSTALLATIONS

Cautions:

For added protection mount the fixtures in areas outside walking paths, seating areas, or in areas where the fixture might be reached by unauthorized personnel.

Before mounting the fixture to any surface, make sure that the installation area can hold a minimum point load of 10 times the device weight.

Fixture installation must always be secured with a secondary safety attachment, such as an appropriate safety cable.

Never stand directly below the device when mounting, removing, or servicing the fixture from a ceiling, or set on a flat level surface (see illustration below). Be sure this fixture is kept at least 0.5m (1.5 ft) away from any flammable materials (decoration etc.).

Always use and install the supplied safety cable as a safety measure to prevent accidental damage and/or injury in the event the clamp fails.

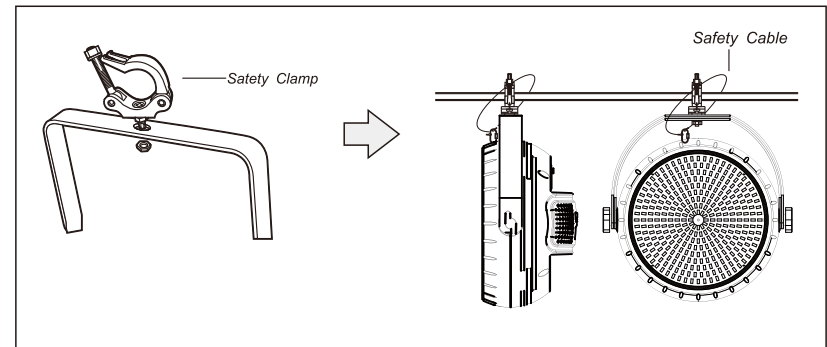
Mounting points:

Overhead mounting requires extensive experience, including amongst others calculating working load limits, a fine knowledge of the installation material being used, and periodic safety inspection of all installation material and the fixture. If you lack these qualifications, do not attempt the installation yourself. Improper installation can result in bodily injury.

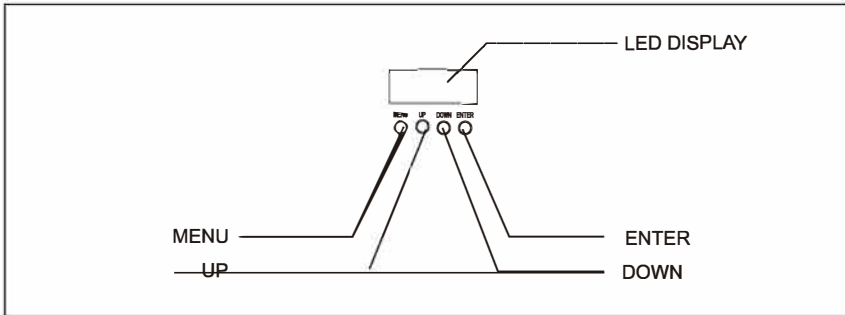
Be sure to complete all rigging and installation procedures before connecting the main power cord to the appropriate wall outlet.

Clamp Mounting:

The RADIANT PAR DUO provides a unique mounting bracket assembly that integrates the bottom of the base, and the safety cable rigging point in one unit (see the illustration below). When mounting this fixture to truss be sure to secure an appropriately rated clamp to the included omega bracket using a M10 screw fitted through the center hole of the handle. As an added safety measure be sure to attach at least one properly rated safety cable to the fixture using one of the safety cable rigging points integrated in the base assembly.



MENU OPERATIONS



MENU		Description
DMX	█~AXXX (AXXX)	DMXAddress Setting
Channel	CH07(Default)/CH02/CH16	Channel Selection
Color	LED LED00-16	Built-in Colors
Auto Pro	Program	Program1...Program15
	Speed	Speed-1~Speed-10 (Speed Adjustment)
SoundPro	Program	Program1...Program5
	MicSens	M-00~99%
Master	ON/OFF	Auto Pro and Sound Pro Master / Slave
Setting	DimCurve	Standard/Stage/Archit./ Theatre
	IrRemote	ON/OFF
	Factory	ON/OFF
	Cal.	Code (Password 088)
	FREQ	Low/High(Default:High)
Manual	CXXX 000-255	Manual Control Channel
Info.	VER X.X	Version
	TEMPXXX°C	Temperature
Reset	ON/OFF	Reset all

Remark: LED Color Table

0	No Color	1 - 16	Cool white gradually to Warmwhite
---	----------	--------	-----------------------------------

DMX PROTOCOL

CH16	Mode/Channel	Value	Function
	CH07(Default)	CH02	
1	1	1	Warm White
		0..255	0-100% Warm White dimmer from dark to bright
2	2	2	Cool White
		0..255	0-100% Cool White dimmer from dark to bright
3	3		Dimmer
		0..255	Dimmer0%...100%
			Shutter
		0..31	Shutter closed
		32..63	shutter open
		64..95	Strobe effect slow to fast
		96..127	shutter open
		128..159	Pulse-effect in sequences slow to fast
		160..191	shutter open
		192..223	Random strobe effect slow to fast
		224..255	shutter open
			Color Temp
		0..15	No Function
		16..45	Below 3200K
		46..75	3200K- 3500K
		76..105	3500K- 5000K
		106..135	5000K- 5500K
		136..165	5500K- 6000K
		166..195	6000K- 6500K
		196..225	6500K- 7000K
		226..255	7000K- 8000K
			Macro RUN
		0..15	No function
		16..27	Macro Run 1
		28..39	Macro Run 2
		40..51	Macro Run 3
		52..63	Macro Run 4
		64..75	Macro Run 5
		76..87	Macro Run 6
		88..99	Macro Run 7
		100..111	Macro Run 8
		112..123	Macro Run 9
		124..135	Macro Run 10
		136..147	Macro Run 11
		148..159	Macro Run 12
		160..171	Macro Run 13
		172..183	Macro Run 14
		184..195	Macro Run 15
		196..207	Macro Sound1
		208..219	Macro Sound2
		220..231	Macro Sound3
		232..243	Macro Sound4
		244..255	Macro Sound5