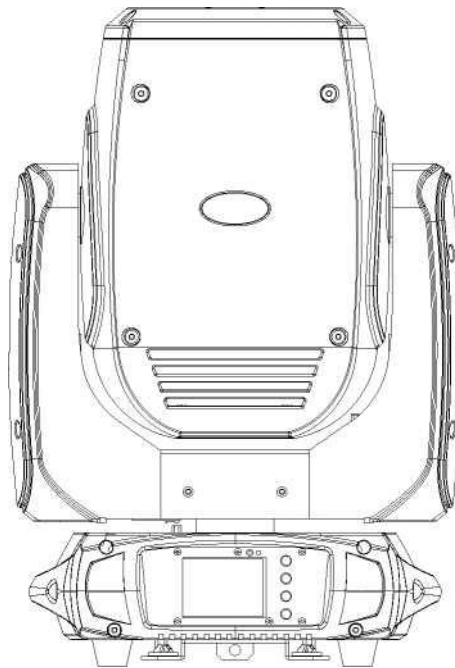




## Phantom Beam 120 LED



### JMAZ LIGHTING

Address: 2422 LEE AVESOUTH EL MONTE, CA, 91733 USA

Phone: 1-626-380-0883 [www.jmazlighting.com](http://www.jmazlighting.com) [support@jmazlighting.com](mailto:support@jmazlighting.com)

*Version 1.0*

### USER MANUAL

- Be sure to read the USER MANUAL carefully before using this product.
- Be sure to keep the USER MANUAL properly for future needs.
- Use this product correctly when you can fully understand the User Manual



**Thank you for choosing the Phantom Beam 120 LED. JMAZ Lighting is committed to providing quality defect-free products. All JMAZ Lighting products are tested before leaving the factory and are warranted against defects in materials and workmanship.**

This device has left our premises in absolutely perfect working condition. In order to maintain this condition and to ensure a safe operation, follow the safety instructions and warning notes written in this manual.

### **CAUTION:**

- Do not open or alter the casing, high voltage circuitry can result in damage to the light or personal injury.
- Keep this light away from rain or moisture and always use in a well-ventilated area.
- DO not look straight into the light Under no circumstances.
- During normal use the unit may become hot, please allow the unit to cool down before stowing it away.
- Make sure the unit is disconnected from power during routine maintenance cleaning. -Only connect to power source with-in the operating range

**SPECIFICATIONS:**

- A 120W white LED lamp,8000K, 50000 hours life span
- Input Voltage:AC90-260V 50/60Hz
- Power Consumption: 180W
- Control Signal:DMX512 , master-slave and
- Sound activated or auto operation (8 built-in programs)
- Control Channel: 14/16 DMX channels USITT DMX- 512
- Dimensions:336(D)\*224(W)\*493(H)mm
- Packing Dimensions:320(D)\*380(W)\*512(H)mm
- Net Weights:1 4.2kgs
- Gross Weight:15.6kgs

**FEATURES;**

- Low power consumption.
- Specific high precision glass optic system with 2 ° projection angle.
- 2.5m-15m electric focus
- 8-Facet prism with variable speed and direction.
- 0-100% Linear LED dimmer.
- 25T/sec high speed LED shutter/strobe effect with variable speed.
- Preset variable/random strobe and dimming pulse effect.
- 2.4'TFT LCD display (320\*240pix).
- POWERCON connector IN/OUT.
- 3-Pin XLR connectors IN/OUT.
- IP20 protection rating.
- 55dB at 3'dB rating.
- 2\*1/4 turn fastening Omega clamp.
- 1 \*Safety attachment point.

**MOVEMENT:**

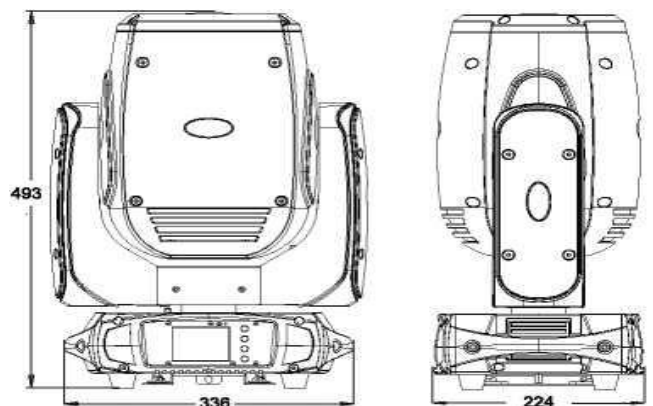
- 8/16 bit smooth and precise resolution for PAN/TILT movement.
- 360° /540° /630° PAN and 90°/180° /270。 TILT movement.
- -20-45°C max ambient Temperature

**COLORS:**

- 1 Color wheel with 11 colors plus open.

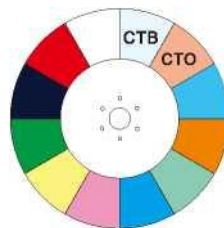
**GOBOS:**

- 1 Static gobo wheel with 19 gobos plus open

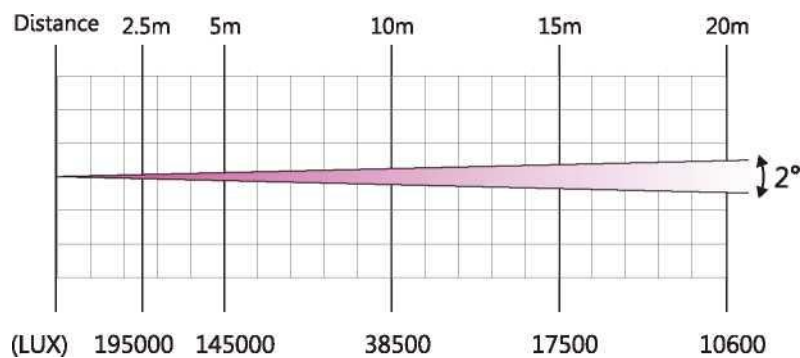


**FUNCTION:**

- PAN/TILT inversion available.
- Scan position memory, auto reposition after unexpected movement.
- Improved optics and flat beam field.
- Variable direction rainbow effect with speed adjustable.
- Fan cooling system.
- Constant temperature readout and management function



**PHOTOMETRICS DIAGRAM**



**OPERATION INSTRUCTIONS**

- Phantom Beam 120 LED provides a wash effect for stage decoration purpose.
- Do not immediately operate the fixture if it has been through severe temperature changes during storage or transportation as this may damage the unit. Please allow the fixture to return to normal temperature.
- The fixture should be stored properly when in transportation to avoid violent shaking or movement.
- Do not expose the fixture to elements that include high heat, moisture, or an

environment with too much dust when in operation.

- Do not place any power cables exposed on the ground as it may cause electronic shock.
- Make sure the fixture is securely installed in a safe location when installing.
- Use safety chain or safety cable when installing and ensure bolts or screws are securely fastened.
- Make sure the lens is in good condition. It is recommended to replace the fixture if there is any damages or severe scratches.
- Make sure the fixture is operated by qualified personnel who has read this user manual. Do not attempt to repair the fixture without consulting with JMAZ Lighting or one of its authorized repair facilities.
- JMAZ Lighting has the right to void any warranty or service to the fixture if there are any malfunctions caused by disregard of this user manual

## INSTALLATION

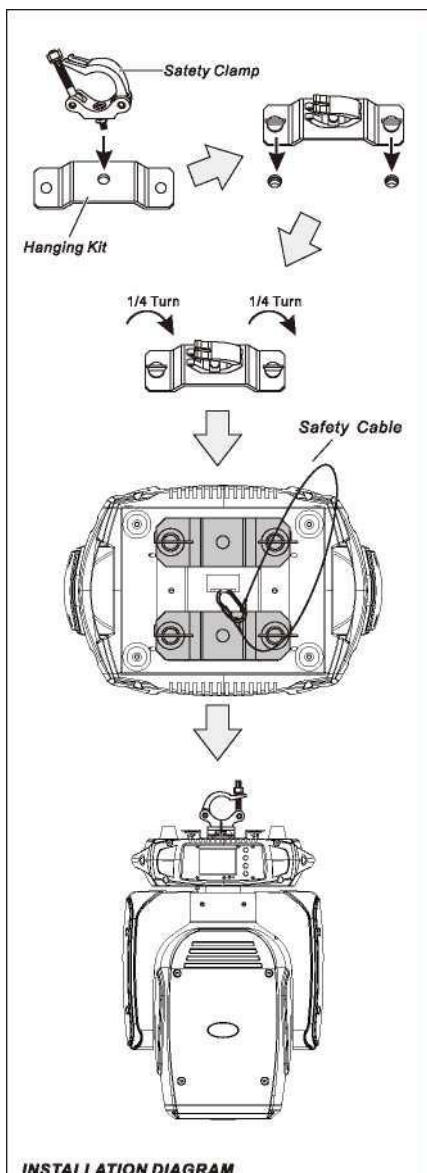
### Cautions:

For added protection mount the fixtures in areas outside walking paths, seating areas, or in areas where the fixture might be reached by unauthorized personnel.

Before mounting the fixture to any surface, make sure that the installation area can hold a minimum point load of 10 times the device's weight.

Fixture installation must always be secured with a secondary safety attachment, such as an appropriate safety cable.

Never stand directly below the device when mounting, removing, or servicing the fixture. from a ceiling, or set on a flat level surface (see illustration below). Be sure this fixture is kept at least 0.5m (1.5 ft) away from any flammable materials (decoration etc.)- Always use and install the supplied safety cable as a safety measure to prevent accidental damage and/or injury in the event the clamp fails.



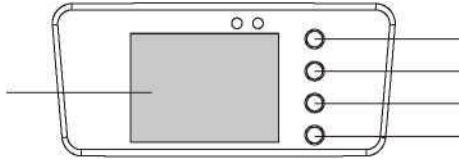


**Mounting points:**

Overhead mounting requires extensive experience, including amongst others calculating working load limits, a fine knowledge of the installation material being used, and periodic safety inspection of all installation material and the fixture. If you lack these qualifications, do not attempt the installation yourself. Improper installation can result in bodily injury. Be sure to complete all rigging and installation procedures before connecting the main power cord to the appropriate wall outlet.

**Clamp Mounting:**

Phantom Beam 120 LED provides a unique mounting bracket assembly that integrates the bottom of the base, and the safety cable rigging point in one unit (see the illustration below). When mounting this fixture to truss be sure to secure an appropriately rated clamp to the included omega bracket using a **M10** screw fitted through the center hole of the "Hanging Kit". As an added safety measure be sure to attached at least one properly rated safety cable to the fixture using on of the safety cable rigging point integrated in the base assembly.



**LCD DISPLAY**

**MENU OPERATIONS**

MENU		Description
Function Mode	Dmx Address	A001-AXXX DMX Address Setting
	Channel Mode	CH14 14 Channel Mode
		CH16 16 Channel Mode
	Auto Run	Internal Program1~9 Internal Program
		State: Master/Alone Master Slave
		Auto Run (On/Off) Auto Run
	Music Control	Internal Program1~9 Internal Program
		State: Master/Alone Master Slave
		Music Run (On/Off) Music Control
	Option	Reset Default Yes/No Reset Default
Signal Set Wire DMX Wireless DMX Act WiMAZ&Out Wi-MAZ Out Wire DMX Wireless DMX Act WiMAZ&Out Wi-MAZ Outf(Wireless Transceiver)		
Pan/Tilt Reverse Pan (On/Off) Reverse Tilt (On/Off) Select Pan 630°/540°/360° Select Tilt 270°/180°/90° Reverse Pan Reverse Tilt Select Pan Select Tilt		
UISET Mic sensitivity 0~99% OFF Signal Mode (On/Off) Half Color Wheel (On/Off) RF Remote (On/Off) Fast Scan(On/Off) MIC Sensitivity OFF original status and ON at Reset status when no DMX signal Half Color Wheel (Default is Off) RF Setting Fast Scan Mode		
Temperature xxxr/T Current Temperature		
Information	Software V1.0~V9.9 Software Version	



**PHANTOM BEAM 120 LED Product Datasheet**

Manual Control	Reset	Total Reset Pan/Tilt Reset Color Reset Gobo Reset The Others Reset	Reset Total Reset Pan/Tilt Reset Color Reset Gobo Reset The Others
	Channel	PAN=XXX.....	Manual Channel Control
ADVANCED	Calibration	PAN=XXX.....	Calibration

**Operation Guide for the Wireless DMX**

How to Set-up the Wireless DMX Mode:

Turn the power switch to off on the back of the light, press and hold the "SELECT" button then turn the power switch to ON. When you see status Indicator turns Into the white color, release the button to enter the Set-up mode. In this mode you can select different transmission protocols. Each time you press the "SELECT" button, you would see the status indicator changes in following order: red, green, blue and yellow. Choose one of the protocols (recommended using RED- WI-MAZ protocol), then press and hold the "SELECT" button for two seconds, when you see the indicator light turns to white color, release the "SELECT" button and it will enter the operation mode, the set up for wireless DMX is done.

Under the Wi-MAZ protocol or Generic protocol, you can select different DMX Group:

Press the "SELECT" button once, It will Indicated the current DMX group. Press the "SELECT" button twice, you can switch oier to different DMX group.

**Explanation of the DMX Signal setting on the men**

Options:	Function:
Wire DMX	Using wire DMX signal Input
Wireless DMX	Using Wireless DMX signal Input





**PHANTOM BEAM 120 LED Product Datasheet**

Act WI-MAZ & Out	Using Wireless DMX signal input, at the same time, it will send out DMX signal to the DMX output on the back of the light
Wi-MAZ Out	Using wire DMX signal input, at the sama time, it will send out wireless DMX signal through the wireless transmitter. (In case if there is no wire DMX input signal, the device will stay at Wireless DMX receiving mode)

Description of the Wireless Indicator for Wireless DMX

1. Under the Set-up mode, each color on the indicator means different communication protocols:

- 1)Red----- Wi-MAZ Protocol
- 2)Yellow..... (Generic) Protocol

2. Under the Operation mode, explanation of the Indicator's status:

Protocol	Action	Status Description
Wi-MAZ or Generic Protocol	Red, Green, Blue, Yellow, Cyan, Purple, (White)	Different Wireless Groups
	Flashing Red	Transmitting Wireless DMX Signal
	Flashing Green	Receiving Wireless DMX Signal



**DMX PROTOCOL**

Mode/Channel		Value	Function
Standard	Vector		
1	1		<b>Pan</b>
		0..255	PAN Movement
2	2		<b>Pan-fine</b>
		0..255	Fine control of Pan movement
3	3		<b>Tilt</b>
		0..255	Tilt Movement
4	4		<b>Tilt-fine</b>
		0..255	Fine control of Tilt movement
5	5		<b>Color wheel</b>
		0.4	Open / white
		5..9	White + Color 1
		10..14	Color 1
		15..19	Color 1 + Color 2
		20..24	Color 2
		25..29	Color 2 + Color 3
		30.34	Color 3
		35.39	Color 3 + Color 4
		40..44	Color 4
		45..49	Color 4 + Color 5
		50..54	Color 5
		55..59	Color5 + Color 6
		60..64	Color 6
		65..69	Color 6 + Color 7
		70..74	Color 7
		75..79	Color7 + Color8
		80..84	Color 8
		85..89	Color8 + Color 9
		90..94	Color 9
95..99	Color 9 + Color 10		
100..104	Color 10		



PHANTOM BEAM 120 LED Product Datasheet

		105..109	Color 10 + Color 11
		110..114	Color 11
		115..127	Color 11 + white
		128.. 189	Forwards rainbow effect from fast to slow
		190-193	Color rotation stop
		194..255	Backwards rainbow effect from slow to fast
6	6		Gobo wheel 1
		0..4	Open
		5..9	gobo 1
		10.. 14	gobo 2
		15..19	gobo 3
		20..24	gobo 4
6	6	25,,29	gobo 5
		30..34	gobo 6
		35.39	gobo 7
		40..44	gobo 8
		45,,49	gobo 9
		50..54	gobo 10
		55..59	gobo 11
		60..64	gobo 12
		65,,69	gobo 13
		70..74	gobo 14
		75..79	gobo 15
		80..84	gobo 16
		85..89	gobo 17
		90..94	gobo 18
		95-99	gobo 19
		100..105	Gobo 1 shake slow to fast
		106..111	Gobo 2 shake slow to fast
		112..117	Gobo 3 shake slow to fast
		118..123	Gobo 4 shake slow to fast
124..129	Gobo 5 shake slow to fast		
130..125	Gobo 6 shake slow to fast		
136..141	Gobo 7 shake slow to fast		



PHANTOM BEAM 120 LED Product Datasheet

		142.. 147	Gobo 8 shake slow to fast
		148..153	Gobo 9 shake slow to fast
		154..159	Gobo 10 shake slow to fast
		160..165	Gobo 11 shake slow to fast
		166..171	Gobo 12 shake slow to fast
		172..177	Gobo 13 shake slow to fast
		178..183	Gobo 14 shake slow to fast
		184..189	Gobo 15 shake slow to fast
		190..195	Gobo 16 shake slow to fast
		196..201	Gobo 17 shake slow to fast
		202..207	Gobo 18 shake slow to fast
		208..213	Gobo 19 shake slow to fast
		214..255	Rot. gobo wheel cont. rotation slow to fast
7	7		<b>Shutter</b>
		0.31	Shutter closed
		32..63	shutter open
		64..95	Strobe effect slow to fast
		96..127	shutter open
		128..143	Opening pulse in sequences slow to fast
		144..159	Closing pulse in sequences fast to slow
		160..191	shutter open
		192..223	Random strobe effect slow to fast
		224..255	shutter open

8	8		<b>Dimmer</b>
		0..255	Dimmer 0%...100%
9	9		<b>Focus</b>
		0..255	In(near) to Out(far)
10	10		<b>Rotating prisml</b>
		0..5	Prism swing out(hole)
		6..127	Prism swing in
		128..189	Prism Forwards rotation from fast to slow
		190.. 193	Prism rotation stop



PHANTOM BEAM 120 LED Product Datasheet




		194..255	Prism Backwards rotation from slow to fast
11	11		<b>Rotating prism2</b>
		0..5	Prism2 swing out(hole)
		6..127	Prism2 swing in
		128..189	Prism2 Forwards rotation from fast to slow
		190.. 193	Prism2 rotation stop
		194..255	Prism1 Backwards rotation from slow to fast
12	12		<b>Frost</b>
		0..199	Frost swing out
		200..255	Frost swing in
13	13		<b>Speed pan/tile</b>
		0..225	max to min speed
		226..235	blackout by movement
		236..245	blackout by all wheel changing
		246..255	no function
14	14		<b>Special function</b>
		0..19	No function
		20..29	No function
		30..39	No function
		40..59	Lamp on
		60-79	Lamp switch off
		80..84	Total Reset
		85..87	Pan/Tilt Reset
		88..90	Color Reset
		91..93	Gobo Reset
		94..96	Strobe Reset
		97..99	The Others Reset
		100..119	Internal program 1
		120..139	Internal program 2
		140.. 159	Internal program 3
		160.. 179	Internal program 4
		180.. 199	Internal program 5
200..219	Internal program 6		
220..239	Internal program 7		



PHANTOM BEAM 120 LED Product Datasheet

		240..255	Internal program 8
	15		Color Time
		0..255	max to min speed
	16		Gobo Time
		0..255	max to min speed

### RF remote controller instruction

- 1.Press 3 times "Spot" to activate Spot series RF function.
- 2.Press 3 times"Beam" to activate Beam series RF function.
- 3.Press 3 times "Wash" to activate Wash series RF function.
- 4."Dimmer" brightness adjustment (press "Dimmer" button then press "+" , "-" to adjust the brightness).
- 5."Strobe"turn on the strobe (press "Strobe" button,can adjust speed by "+" , "-" ).
6.  Adjust the speed of the built-in program or adjust the sensitivity of the sound control.
7.  Adjust the speed of the built-in program or adjust the sensitivity of the sound control.
- 8."1 - 9" Auto program or sound activated state,press the corresponding button into the corresponding program;In the "Dimmer" or "Strobe" state,press "1 - 9" button to select color.
9.  All reset
- 10."DMX" selects wire cable DMX signal as signal source.

#### Tips :

1. When activated RF function,the lamp will be not controled by DMX signal,and the lamp is in the RF control state.And each remote controller can only control a series of lamps at the same time

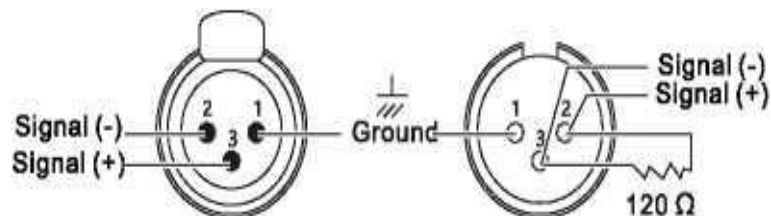
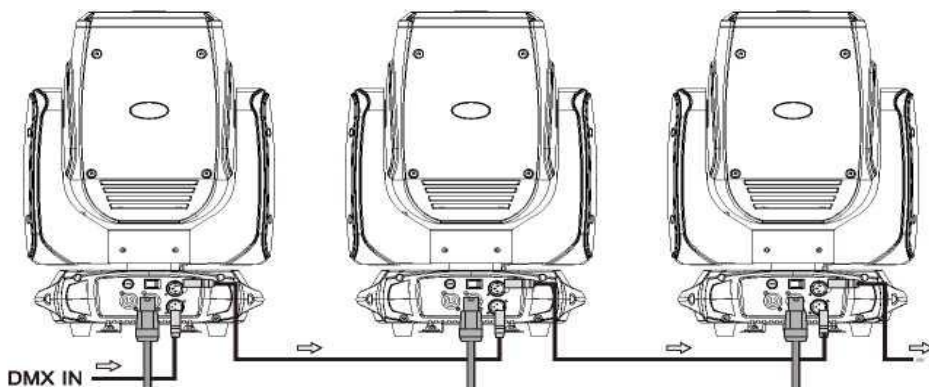
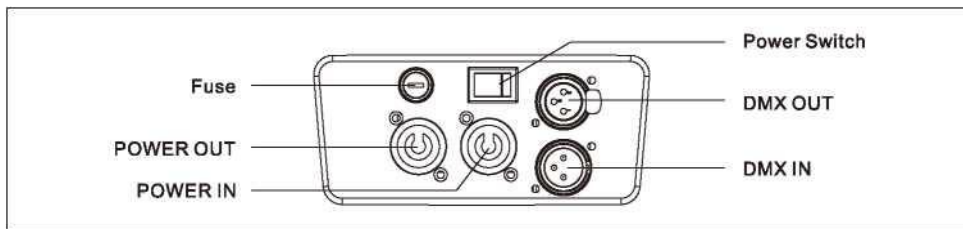
2. When wash devices open "Dimmer" and "Strobe", it needs to press the the number button to beighten the corresponding color .In this mode,the number botton can only switch the color wheell,but not te corresponding key color for Spot and Beam series.
3. Turn off RF function,there are following methods:
  - (1) Select the signal input mode needed,"DMX" can exit RF function;
  - (2) Switch to there series of lamps,"Spot","Beam","Wash" switch to other units,will be restored to the original set signal source input;
  - (3) Press the menu button of the display panel.



## CONTROL CONNECTION

Connect the provided XLR cable to the female 3-pin XLR output of your controller and the other side to the male 3-pin XLR input of the moving head. You can chain multiple Moving head together through serial linking. The cable needed should be two core, screened cable with XLR input and output connectors. Please refer to the diagram below. DMX-512 connection with DMX terminator.

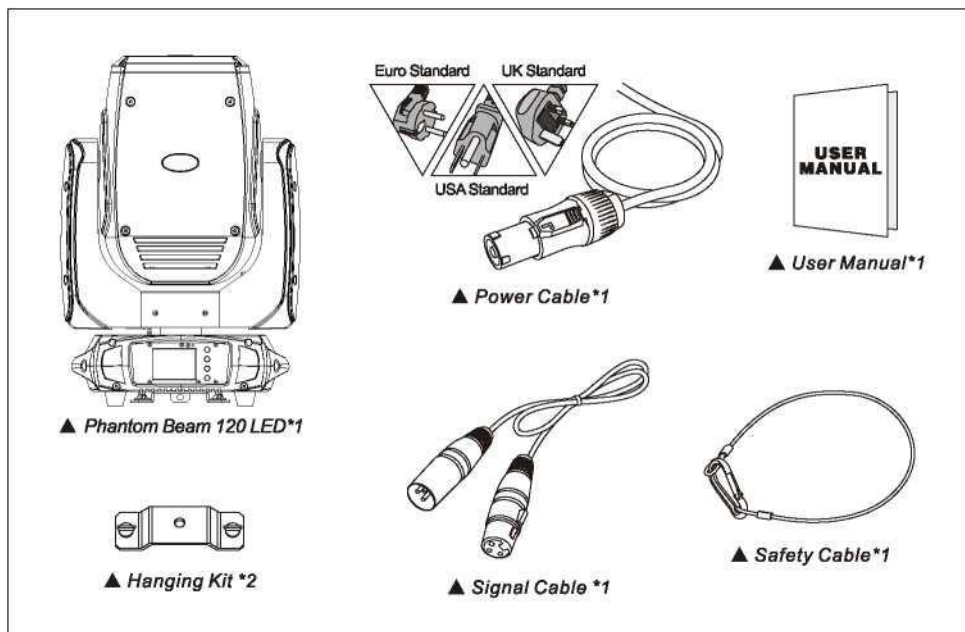
For installations where the DMX cable has to run a long distance or is in an electrically noisy environment, such as in a discotheque, it is recommended to use a DMX terminator. This helps in preventing corruption of the digital control signal by electrical noise. The DMX terminator is simply an XLR plug with a resistor connected between pins 2 and 3, which is then plugged into the output XLR socket of the last fixture in the chain. Please see illustrations below.





## MAINTENANCE AND CLEANING

Keep the unit clean and dust free, simply wipe it using a soft lint-free cloth moistened with any good glass cleaning fluid. NOTE: DO NOT use alcohol or solvents. Phantom Beam 120 LED is made of a new type of high temperature, high strength engineered plastic and cast aluminum casing. The fixture is designed and manufactured strictly following CE standards, in compliance with international standard DMX512 protocol. Ybu can control this fixture independently and it is also linkable with other fixtures for operation. The Phantom Beam 120 LED is ideal for applications in large scale live performance theater; studio, nightclubs and discos. This user manual covers the important information regarding installation and applications. Please securely store this manual for future reference.





## JMAZ LIGHTING

Address: 2422 LEE AVESOUTH EL MONTE, CA, 91733 USA

Phone: 1-626-380-0883 [www.jmazlighting.com](http://www.jmazlighting.com) [support@jmazlighting.com](mailto:support@jmazlighting.com)

### **WARRANTY:**

The 2-year warranty period begins the date of purchase from an authorized dealer. Please keep a copy of your invoice (proof of purchase) as this will be required when submitting a warranty related inquiry.

The manufacturer, its dealers or representatives will not accept liability or warranty claims for damages or personal injuries resulting from:

- Damage due to improper installation or operation, negligence, abuse, or not following instructions, warnings or acceptable industry procedures.
- Damage cause during shipment or transportation of the products, all claims of this nature must be presented to the carrier.
- Any products without the original serial number and factory seal or has been serviced by a non authorized JMAZ dealer.