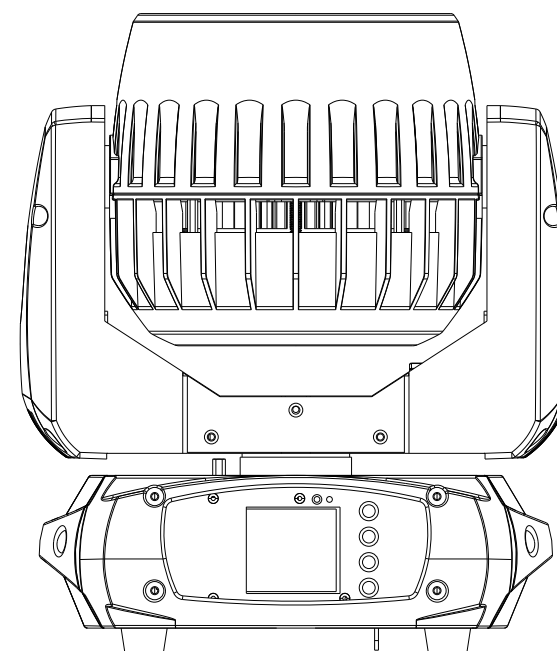


## ATTCO WASH 150Z



JMAZ LIGHTING

Address: 313 NEWQUIST PLACE STE B, CITY OF INDUSTRY, CA 91745 USA

Phone: 1-626-380-0883    [www.jmazlighting.com](http://www.jmazlighting.com)    [support@jmazlighting.com](mailto:support@jmazlighting.com)

Version 1.0

## USER MANUAL

- Be sure to read the USER MANUAL carefully before using this product.
- Be sure to keep the USER MANUAL properly for future needs.
- Use this product correctly when you can fully understand the User Manual

## 1.Safety instructions

Thank you for choosing our ATTCO WASH 150Z . FOR YOUR OWN SAFETY, PLEASE READ THIS USER MANUAL CAREFULLY

### BEFORE YOU INITIAL START - UP!

**CAUTION!**  
*Be careful with your operations.  
 With a high voltage you can suffer a dangerous electric shock when touching the wires!*

This device has left our premises in absolutely perfect condition. In order to maintain this condition and to ensure a safe operation, it is absolutely necessary for the user to follow the safety instructions and warning notes written in this manual.

**CAUTION!**  
*Keep this device away from rain and moisture!  
 Unplug mains lead before opening the housing!*

#### Important:

The manufacturer will not accept liability for any resulting damages caused by the non-observance of this manual or any unauthorized modification to the device.

Please consider that damages caused by manual modifications to the device are not subject to warranty.

During the operation the housing becomes hot). Allow the fixture to cool approximately 20 minutes prior to manipulate with it.

Make sure that the available voltage is not higher than stated on the rear panel.

**WARNING!** This unit does not contain an ON/OFF switch. Always disconnect power input cable to completely remove power from unit when not in use or before cleaning or servicing the fixture.

Make sure that the power-cord is never crimped or damaged by sharp edges. Check the device and the power-cord from time to time.

Always disconnect from the mains, when the device is not in use or before cleaning it. Only handle the power-cord by the plug. Never pull out the plug by tugging the power cord.

This device falls under protection class I. Therefore it is essential to connect the yellow/green conductor to earth.

The electric connection, repairs and servicing must be carried out by a qualified employee.

Do not connect this device to a dimmer pack.

Do not switch the fixture on and off in short intervals as this would reduce the lamp's life.

During the initial start-up some smoke or smell may arise. This is a normal process and does not necessarily mean that the device is defective.

Do not touch the device's housing bare hands during its operation (housing becomes hot)!

For replacement use lamps and fuses of same type and rating only.

**CAUTION ! EYE DAMAGES !**  
*Avoid looking directly into the light source  
 (meant especially for epileptics) !*

## 10.Maintenance and cleaning

It is absolutely essential that the fixture is kept clean and that dust, dirt and smoke-fluid residues must not build up on or within the fixture. Otherwise, the fixture's light-output will be significantly reduced. Regular cleaning will not only ensure the maximum light-output, but will also allow the fixture to function reliably throughout its life. A soft lint-free cloth moistened with any good glass cleaning fluid is recommended, under no circumstances should alcohol or solvents be used!

**DANGER !**  
*Disconnect from the mains before starting any  
 maintenance work*

The front objective lens will require weekly cleaning as smoke-fluid tends to building up residues, reducing the light-output very quickly. The cooling-fans should be cleaned monthly.

The interior of the fixture should be cleaned at least annually using a vacuum-cleaner or an air-jet. Remove dust and dirt from the fans and cooling vents using a soft brush and vacuum-cleaner.

Important! Check the air filters periodically and clean before they become clogged!

Clean two air filters placed in the fixture's covers and two in the fixture base. Use a vacuum cleaner, compressed air or you can wash them and put back dry.

After replacing the air filters, reset the elapsed time counter in the menu "Information" (Information--->Air Filters--->Elapsed Time).

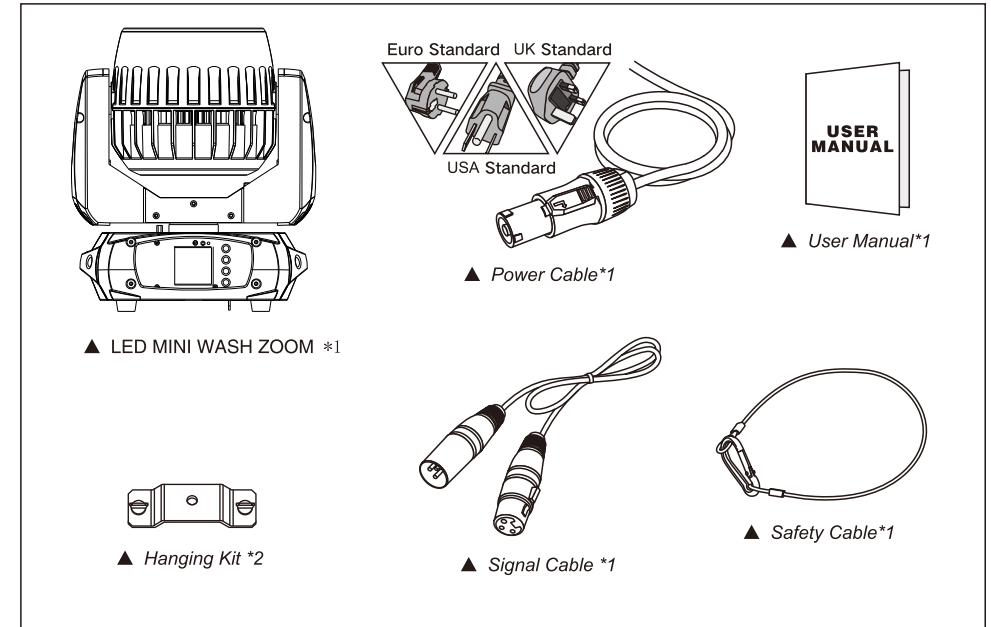
Replacing the fuse. Before replacing the fuse, unplug mains lead.

- 1) Remove the fuse holder on the rear panel of the base with a fitting screwdriver from the housing (anti-clockwise).
- 2) Remove the old fuse from the fuse holder.
- 3) Install the new fuse in the fuse holder (only the same type and rating).
- 4) Replace the fuseholder in the housing and fix it.

13	11	<b>Macro</b>	
		0..15	No Function
		16..31	Red
		32..47	Green
		48..63	Blue
		64..79	White
		80..95	Red+Green
		96..111	Red+Blue
		112..127	Red+White
		128..143	Green+Blue
		144..159	Green+White
		160..175	Blue+Wtihe
		176..191	R +G+B
		192..207	R+G+B+W
		208..223	Jump effect
		224..239	Fading effect
		240..255	Pulse-effect
14	12	<b>Macro Speed</b>	
		0..255	Macro Speed from Slow To Fast
15	13	<b>Color Temp</b>	
		0..15	No Function
		16..45	Below 3200K
		46..75	3200K - 3500K
		76..105	3500K - 5000K
		106..135	5000K - 5500K
		136..165	5500K - 6000K
		166..195	6000K - 6500K
		196..225	6500K - 7000K
		226..255	7000K - 8000K
16	14	<b>Visual Tungsten Lamp</b>	
		0..15	No Function
		16..255	Tungsten lamp effect is gradually enhanced
17	15	<b>Special function</b>	
		0..19	No function
		20..39	No function
		40..59	No function
		60..79	No function
		80..84	All Motor reset
		85..94	SCAN Motor Reset
		95..99	Zoom Motor Reset
		100..119	Internal program 1
		120..139	Internal program 2
		140..159	Internal program 3
		160..179	Internal program 4
		180..199	Internal program 5
		200..219	Internal program 6
		220..239	Internal program 7
240..255	Internal Sound program 1		

## 2.UNPACKING

The ATTCO WASH 150Z adopts 7\*30W RGBW 4-IN-1 LED lamp which features high brightness and stability. Please carefully unpack it when you receive the fixture and check whether it is damaged during the transportation. And please check whether the following items are included inside the box:



The ATTCO WASH 150Z is made of a new type of high temperature strength of engineering plastics and cast aluminum casing with nice outlook . The fixture is designed and manufactured strictly following CE standards, complying with international standard DMX512 protocol. It's available independently controlled and linkable with each other for operation. And it is applicable for large-scale live per formances, theater, studio, nightclubs and discos.

This manual covers the important information on installation and applications. Meanwhile, please keep this manual well for future needs.

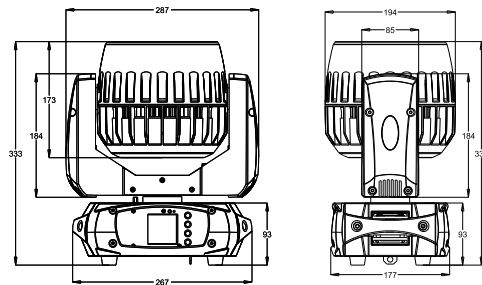
### 3.TECHNICAL INFORMATION

**SPECIFICATIONS:**

- > LED Quantities:7\*30W 4-IN-1 RGBW LEDs, 50000 hours life span
- > Input Voltage:AC90-260V 50/60Hz
- > Control Signal:DMX512 master-slave and sound activated or auto operation
- > Control Channel: 17/15 DMX channels USITT DMX-512
- > Power Consumption: 240W
- > Dimension:10.5"x6.7"x13"/26.7x17x33.3cm
- > Packing Dimension:14.6"x10.8"x16"/37x27.5x41.5cm
- > Net Weight: 14lbs/6.5kgs
- > Gross Weight: 18.4lbs/8.36kgs

**Features**

- > Low power consumption
- > Full pixel controlled
- > Built-in wireless is available
- > 8/16 bit smooth and precise resolution for PAN/TILT movement
- > Scan position memory auto reposition after unexpected movement
- > 6-60°Smooth electronic linear zoom
- > Built-in running programs
- > 0-100% Linear LED dimmer
- > 1.8' TFT LCD display
- > 1-25T/sec high speed LED shutter/strobe effect with variable speed
- > Preset variable/random strobe and dimming pulse effect
- > DMX recorder and edit function integrated
- > High resolution graphic LCD display
- > POWERCON connector IN
- > 3-Pin XLR connectors IN/OUT
- > Constant temperature readout and management function
- > -35°C ~ 45°C max ambient temperature
- > IP20 protection rating



### 10.DMX PROTOCOL

Mode/Channel		Value	Function
<b>17</b>	<b>15</b>		
1	1		<b>Dimmer</b>
		0..255	Dimmer 0%...100%
			<b>Shutter</b>
		0..31	Shutter closed
		32..63	shutter open
		64..95	Strobe effect slow to fast
2	2	96..127	shutter open
		128..159	Pulse-effect in sequences slow to fast
		160..191	shutter open
		192..223	Random strobe effect slow to fast
		224..255	shutter open
			<b>Pan</b>
3	3	0..255	PAN Movement
			<b>Pan-fine</b>
4		0..255	Fine control of Pan movement
			<b>Tilt</b>
5	4	0..255	Tilt Movement
			<b>Tilt-fine</b>
6		0..255	Fine control of Tilt movement
			<b>Zoom</b>
7	5	0..255	In(near) to out(far)
			<b>Speed pan/tile</b>
8	6	0..225	max to min speed
		226..235	blackout by movement
		236..255	no function
9	7	0..255	<b>Red</b>
			0-100% Red dimmer from dark to bright
10	8	0..255	<b>Green</b>
			0-100% Green dimmer from dark to bright
11	9	0..255	<b>Blue</b>
			0-100% Blue dimmer from dark to bright
12	10	0..255	<b>White</b>
			0-100% White dimmer from dark to bright

**Description of the Wireless Indicator for Wireless DMX**

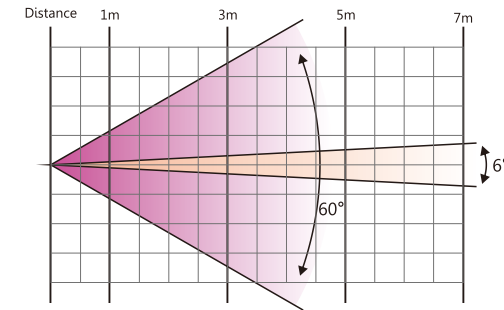
1. Under the Set-up mode, each color on the indicator means different communication protocols:

- 1. Red -----Wi-MAZProtocol
- 2. Yellow ----- (Generic) Protocol

2. Under the Operation mode, explanation of the indicator's status:

Protocol	Action	Status Description
Wi-MAZ or Generic Protocol	Red, Green, Blue, Yellow, Cyan, Purple, ( White)	Different Wireless Groups
	Flashing Red	Transmitting Wireless DMX Signal
	Flashing Green	Receiving Wireless DMX Signal

**4.PHOTOMETRICS DIAGRAM**



6° (LUX)	1m	3m	5m	7m
R	18319	6200	1578	1104
G	21420	6800	2258	1304
B	32970	9700	3481	1802
W	34070	9681	3513	1809
RGBW	98000	28370	9931	5495

60° (LUX)	1m	3m	5m	7m
R	2483	296	111	46
G	3367	359	134	66
B	5225	589	205	103
W	5158	588	202	100
RGBW	14693	1825	683	296

**5.OPERATION INSTRUCTIONS**

- The ATTCO WASH 150Z is for beam&wash effect for on-site decoration purpose.
- Don't turn on the fixture if it's been through severe temperature difference like after transportation because it might damage the light due to the environment changes. So make sure to operate the fixture until it is in normal temperature.
- This light should be keep away from strong shaking during any transportation or movement.
- Don't pull up the light by only the head, or it might cause damages to the mechanical parts.
- Don't expose the fixture in overheat, moisture or environment with too much dust when installing it. And
- don't lay any power cables on the floor. Or it might cause electronic shock to the people.
- Make sure the installation place is in good safety condition before installing the fixture.
- Make sure to put the safety chain and check whether the screws are screwed properly when installing the fixture.
- Make sure the lens are in good condition.It's recommended to replace the units if there are any damages or severe scratch.
- Make sure the fixture is operated by qualified personnel who knows the fixture before using.
- Keep the original packages if any second shipment is needed.
- Don't try to change the fixtures without any instruction by the manufacturer or the appointed repairing agencies.
- It is not in warranty range if there are any malfunctions from not following the user manual to operate or any illegal operation, like shock short circuit, electronic shock , lamp broke, etc.

## 6.INSTALLATIONS

### Cautions:

For added protection mount the fixtures in areas outside walking paths, seating areas, or in areas where the fixture might be reached by unauthorized personnel.

Before mounting the fixture to any surface, make sure that the installation area can hold a minimum point load of 10 times the device's weight.

Fixture installation must always be secured with a secondary safety attachment, such as an appropriate safety cable.

Never stand directly below the device when mounting, removing, or servicing the fixture.

from a ceiling, or set on a flat level surface (see illustration below). Be sure this fixture is kept at least 0.5m (1.5 ft) away from any flammable materials (decoration etc.).

Always use and install the supplied safety cable as a safety measure to prevent accidental damage and/or injury in the event the clamp fails.

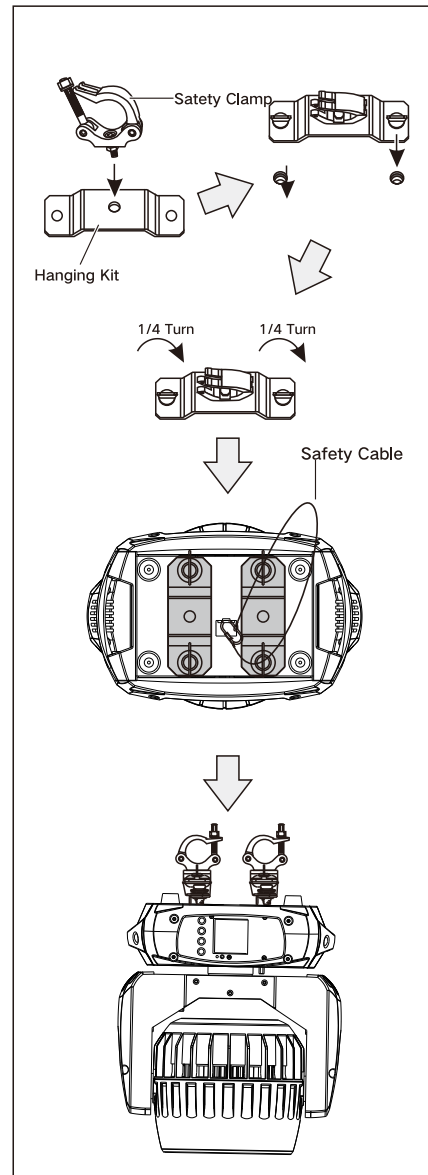
### Mounting points:

Overhead mounting requires extensive experience, including amongst others calculating working load limits, a fine knowledge of the installation material being used, and periodic safety inspection of all installation material and the fixture. If you lack these qualifications, do not attempt the installation yourself. Improper installation can result in bodily injury.

Be sure to complete all rigging and installation procedures before connecting the main power cord to the appropriate wall outlet.

### Clamp Mounting:

ATTCO WASH 150Z provides a unique mounting bracket assembly that integrates the bottom of the base, and the safety cable rigging point in one unit (see the illustration below). When mounting this fixture to truss be sure to secure an appropriately rated clamp to the included omega bracket using a M10 screw fitted through the center hole of the "Hanging Kit". As an added safety measure be sure to attached at least one properly rated safety cable to the fixture using one of the safety cable rigging point integrated in the base assembly .



INSTALLATION DIAGRAM

## 9.Operation Guide for the Wireless DMX

### How to Set-up the Wireless DMX Mode:

Turn the power switch to off on the back of the light, press and hold the "SELECT" button then turn the power switch to ON. When you see status indicator turns into the white color, release the button to enter the Set-up mode. In this mode you can select different transmission protocols. Each time you press the "SELECT" button, you would see the status indicator changes in following order: red, green, blue and yellow. Choose one of the protocols (**recommended using RED- Wi-MAZ protocol**), then press and hold the "SELECT" button for two seconds, when you see the indicator light turns to white color, release the "SELECT" button and it will enter the operation mode, the set up for wireless DMX is done.

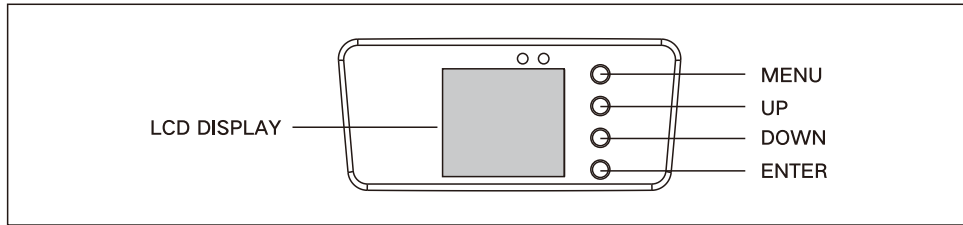
### \* Under the Wi-MAZ protocol or Generic protocol, you can select different DMX Group:

Press the "SELECT" button once, it will indicated the current DMX group. Press the "SELECT" button twice, you can switch over to different DMX group.

### Explanation of the DMX Signal setting on the menu

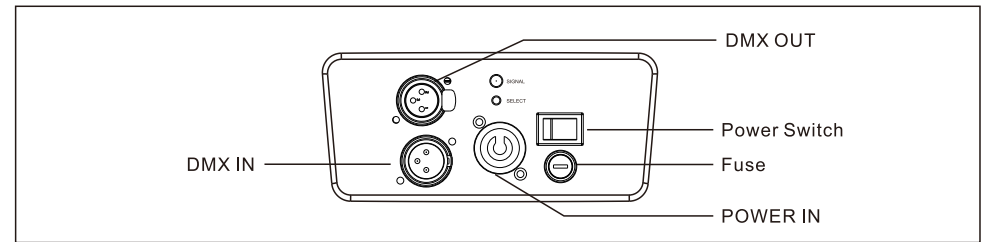
Options:	Function:
Wire DMX	Using wire DMX signal input
Wireless DMX	Using Wireless DMX signal input
Act Wi-MAZ & Out	Using Wireless DMX signal input, at the same time, it will send out DMX signal to the DMX output on the back of the light
Wi-MAZ Out	Using wire DMX signal input, at the same time, it will send out wireless DMX signal through the wireless transmitter. (In case if there is no wire DMX input signal, the device will stay at Wireless DMX receiving mode)

### 8.MENU OPERATIONS



	MENU		Description
DMX (Function Mode)	Dmx Address	A001~AXXX	<b>DMX address setting</b>
	Channel Mode	Ch17	Standard mode
		Ch15	Vector mode
	Auto Run	Internal Program1~9 Master/Alone	Auto run
Music Control	Internal Program1~9 Master/Alone	Sound Control	
SET (Fixture Set)	Reset Default	Yes/No	Reset Default
	Signal Set	Wire	<b>Wire</b>
		Wireless DMX	<b>Wireless DMX</b>
		Wi-MAZ&Out	<b>Wi-MAZ&amp;Out</b>
	Reverse Pan	Auto I&O	<b>Auto I&amp;O</b>
	Reverse Tilt	(On/Off)	Reverse Pan
	Select Pan	(On/Off)	Reverse Tilt
	Select Tilt	540 ° /360 ° /630 °	Pan Degree,default is 540 °
	Mic sensitivity	270 ° /90 ° /180 °	Tilt Degree,default is 270 °
	OFF Signal Mode	Mic SEN 0~99%	<b>MIC Sensitivity Setting</b>
MANU (Manual)	Reset	OFF Signal Mode (On/Off)	<b>OFF at original status and ON at reset status when no DMX signal</b>
	Channel	Total Reset	Total Reset
		Scan Reset	Scan Reset
		Zoom Reset	Zoom Reset
Calibration	PAN=XXX.....	Channel Control	
ADV Advanced (Access Code 088)	Calibration	PAN=XXX.....	Calibration

### 7.CONTROL CONNECTION



Connect the provided XLR cable to the female 3-pin XLR output of your controller and the other side to the male 3-pin XLR input of the moving head. You can chain multiple Moving head together through serial linking. The cable needed should be two core, screened cable with XLR input and output connectors. Please refer to the diagram below. DMX-512 connection with DMX terminator.

For installations where the DMX cable has to run a long distance or is in an electrically noisy environment, such as in a discotheque, it is recommended to use a DMX terminator. This helps in preventing corruption of the digital control signal by electrical noise. The DMX terminator is simply an XLR plug with a 3 resistor connected between pins 2 and 3, which is then plugged into the output XLR socket of the last fixture in the chain. Please see illustrations below.

